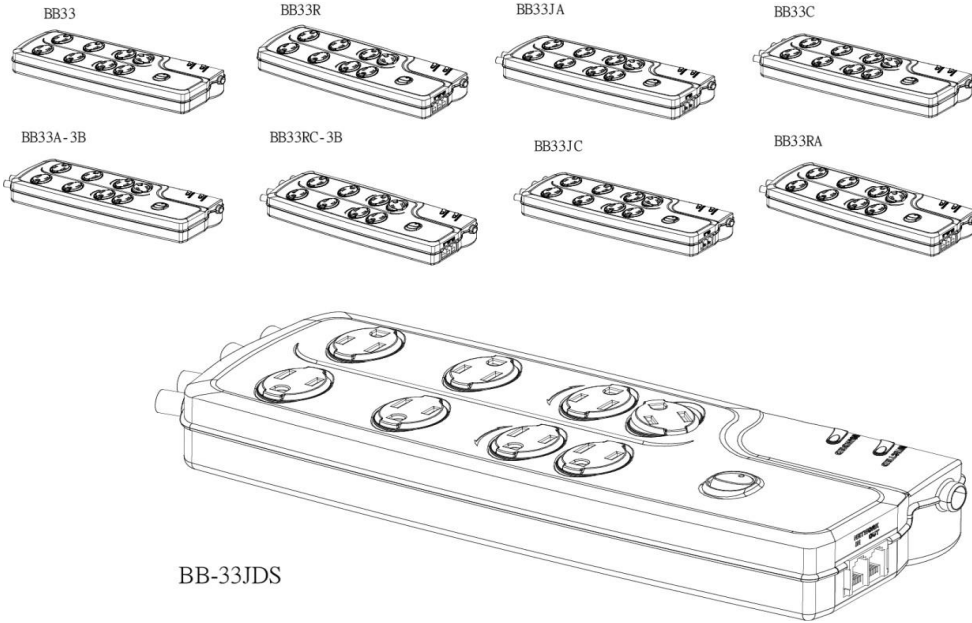


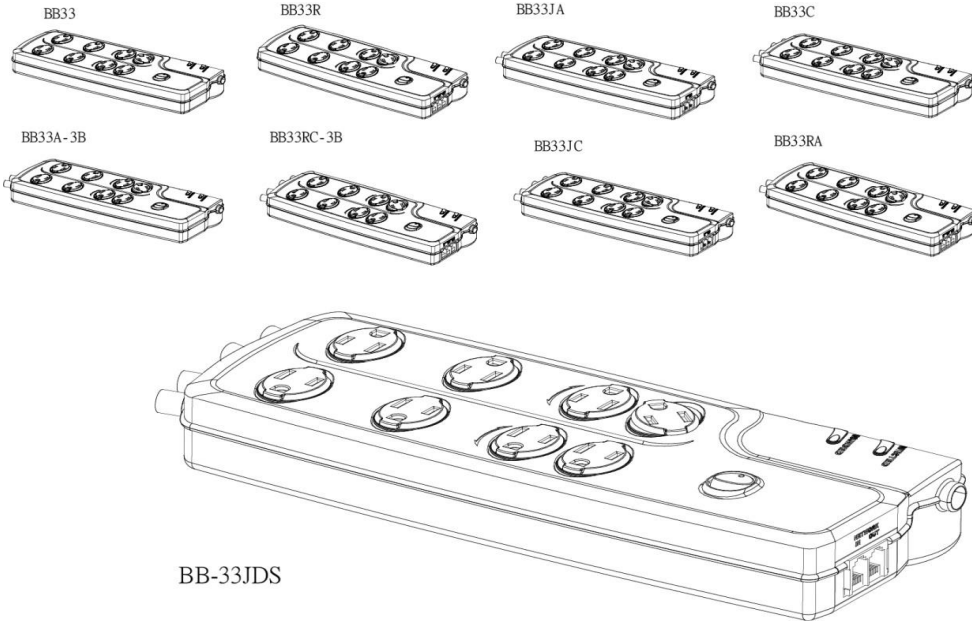
## 8 Outlet Surge Protector

Part No.	BB-33-3B	BB-33-6B	BB-33-9B
Electrical rating	125V/15A /1875W	125V/15A /1875W	125V/15A /1875W
Housing Material	Plastic	Plastic	Plastic
AC Outlets	8	8	8
AC Outlet Type	Nema 5-15R	Nema 5-15R	Nema 5-15R
Plug type	Nema 5-15P	Nema 5-15P	Nema 5-15P
AC Cord Specs	SJT ; 14AWG	SJT ; 14AWG	SJT ; 14AWG
Power Cord Length	Min.1.5ft~ Max.25ft	Min.1.5ft~ Max.25ft	Min.1.5ft~ Max.25ft
Overload Protection	15 Amps	15 Amps	15 Amps
Circuit Breaker Switch	Yes	Yes	Yes
Power Shutdown Protection	Yes	Yes	Yes
Max. Joules Rating	1050 Joules	2100 Joules	3150 Joules
Max. Spike Current	19500 Amps	39000 Amps	58500 Amps
Max, Spike Voltage	6000V	6000V	6000V
Clamping Voltage (VPR)	400V ( L-N, N-G) 500V( L-G)	400V ( L-N, N-G) 500V( L-G)	400V ( L-N, N-G) 500V( L-G)
Response Time	< 1 nanosecond	< 1 nanosecond	< 1 nanosecond
Surge Protection Indicator	1*Green LED	1*Green LED	1*Green LED
Wire Fault Indicator	1*Red LED	1*Red LED	1*Red LED
EMI/ RFI Noise Filter	Attenuation Up to 20 dB Freq. 150Khz to 30Mhz	Attenuation Up to 20 dB Freq. 150Khz to 30Mhz	Attenuation Up to 20 dB Freq. 150Khz to 30Mhz
USB Charger	N/A	N/A	N/A
Phone/Network Protector	N/A	N/A	N/A
Coax/Satellite Protection	N/A	N/A	N/A
Product Dimension	L xW x Hmm	L xW x Hmm	L xW x Hmm



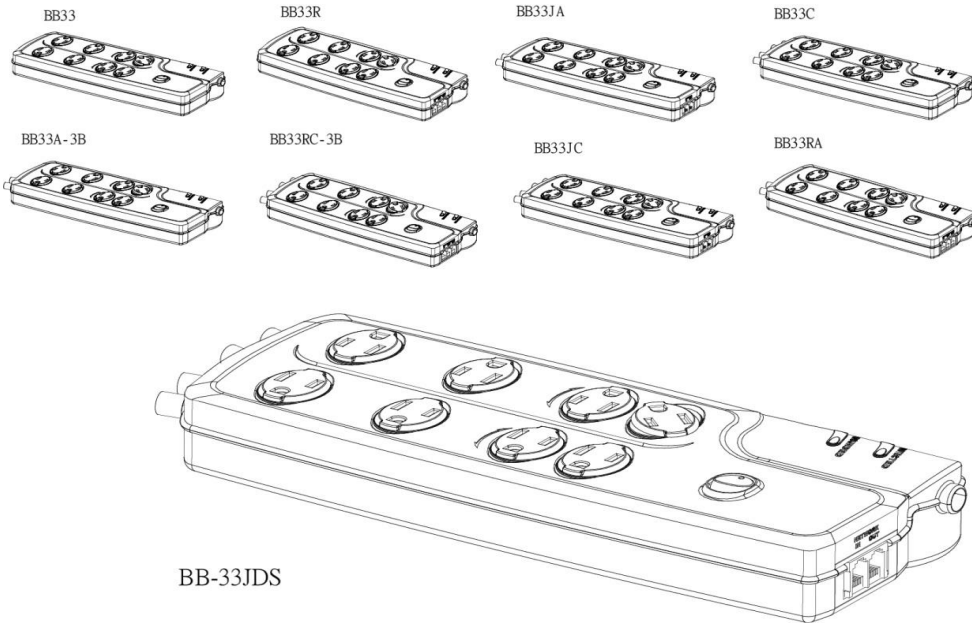
## 8 Outlet Surge Protector

Part No.	BB-33A-3B	BB-33A-6B	BB-33A-9B
Electrical rating	125V/15A /1875W	125V/15A /1875W	125V/15A /1875W
Housing Material	Plastic	Plastic	Plastic
AC Outlets	8	8	8
AC Outlet Type	Nema 5-15R	Nema 5-15R	Nema 5-15R
Plug type	Nema 5-15P	Nema 5-15P	Nema 5-15P
AC Cord Specs	SJT ; 14AWG	SJT ; 14AWG	SJT ; 14AWG
Power Cord Length	Min.1.5ft~ Max.25ft	Min.1.5ft~ Max.25ft	Min.1.5ft~ Max.25ft
Overload Protection	15 Amps	15 Amps	15 Amps
Circuit Breaker Switch	Yes	Yes	Yes
Power Shutdown Protection	Yes	Yes	Yes
Max. Joules Rating	1050 Joules	2100 Joules	3150 Joules
Max. Spike Current	19500 Amps	39000 Amps	58500 Amps
Max, Spike Voltage	6000V	6000V	6000V
Clamping Voltage (VPR)	400V ( L-N, N-G) 500V( L-G)	400V ( L-N, N-G) 500V( L-G)	400V ( L-N, N-G) 500V( L-G)
Response Time	< 1 nanosecond	< 1 nanosecond	< 1 nanosecond
Surge Protection Indicator	1*Green LED	1*Green LED	1*Green LED
Wire Fault Indicator	1*Red LED	1*Red LED	1*Red LED
EMI/ RFI Noise Filter	Attenuation Up to 20 dB Freq. 150Khz to 30Mhz	Attenuation Up to 20 dB Freq. 150Khz to 30Mhz	Attenuation Up to 20 dB Freq. 150Khz to 30Mhz
USB Charger	N/A	N/A	N/A
Phone/Network Protector	N/A	N/A	N/A
Coax Protection	F Connector	F Connector	F Connector
Product Dimension	L xW x Hmm	L xW x Hmm	L xW x Hmm



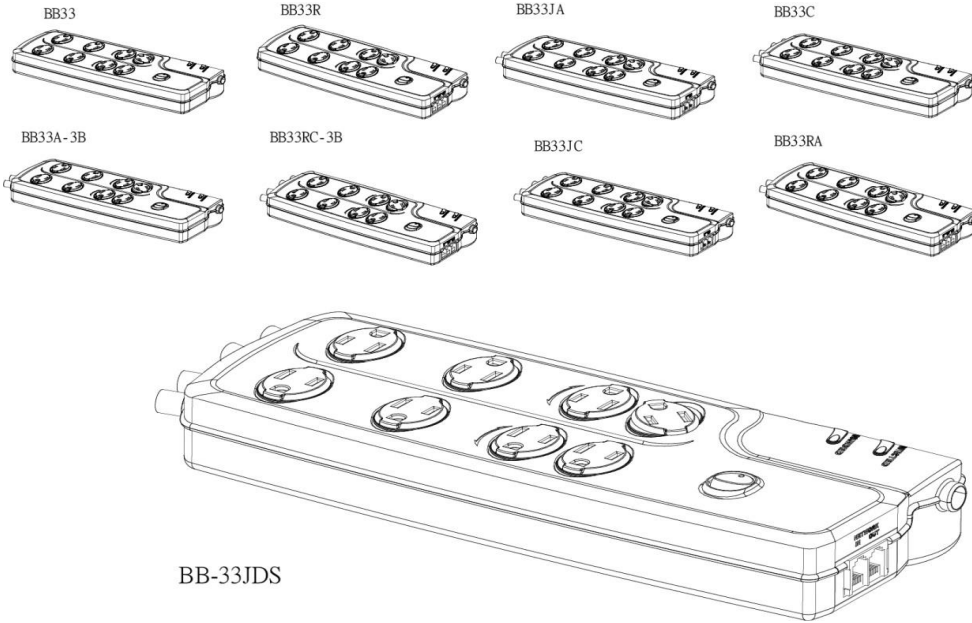
## 8 Outlet Surge Protector

Part No.	BB-33C-3B	BB-33C-6B	BB-33C-9B
<b>Electrical rating</b>	125V/15A /1875W	125V/15A /1875W	125V/15A /1875W
<b>Housing Material</b>	Plastic	Plastic	Plastic
<b>AC Outlets</b>	8	8	8
<b>AC Outlet Type</b>	Nema 5-15R	Nema 5-15R	Nema 5-15R
<b>Plug type</b>	Nema 5-15P	Nema 5-15P	Nema 5-15P
<b>AC Cord Specs</b>	SJT ; 14AWG	SJT ; 14AWG	SJT ; 14AWG
<b>Power Cord Length</b>	Min.1.5ft~ Max.25ft	Min.1.5ft~ Max.25ft	Min.1.5ft~ Max.25ft
<b>Overload Protection</b>	15 Amps	15 Amps	15 Amps
<b>Circuit Breaker Switch</b>	Yes	Yes	Yes
<b>Power Shutdown Protection</b>	Yes	Yes	Yes
<b>Max. Joules Rating</b>	1050 Joules	2100 Joules	3150 Joules
<b>Max. Spike Current</b>	19500 Amps	39000 Amps	58500 Amps
<b>Max, Spike Voltage</b>	6000V	6000V	6000V
<b>Clamping Voltage (VPR)</b>	400V ( L-N, N-G) 500V( L-G)	400V ( L-N, N-G) 500V( L-G)	400V ( L-N, N-G) 500V( L-G)
<b>Response Time</b>	< 1 nanosecond	< 1 nanosecond	< 1 nanosecond
<b>Surge Protection Indicator</b>	1*Green LED	1*Green LED	1*Green LED
<b>Wire Fault Indicator</b>	1*Red LED	1*Red LED	1*Red LED
<b>EMI/ RFI Noise Filter</b>	Attenuation Up to 20 dB Freq. 150Khz to 30Mhz	Attenuation Up to 20 dB Freq. 150Khz to 30Mhz	Attenuation Up to 20 dB Freq. 150Khz to 30Mhz
<b>USB Charger</b>	N/A	N/A	N/A
<b>Phone/Network Protector</b>	N/A	N/A	N/A
<b>Coax/Satellite Protection</b>	F Connector	F Connector	F Connector
<b>Product Dimension</b>	L xW x Hmm	L xW x Hmm	L xW x Hmm



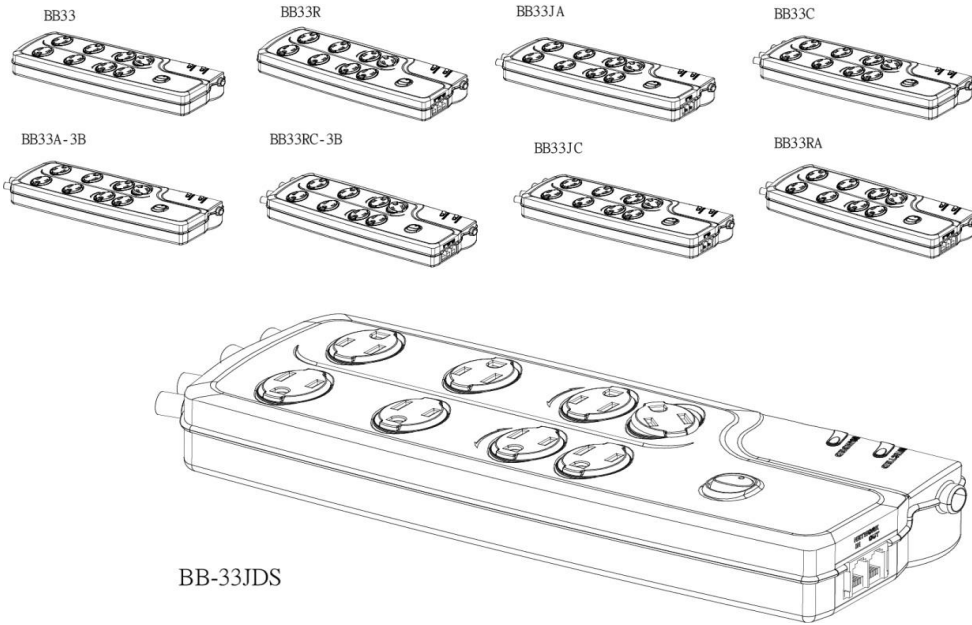
## 8 Outlet Surge Protector

Part No.	BB-33JA-3B	BB-33JA-6B	BB-33JA-9B
Electrical rating	125V/15A /1875W	125V/15A /1875W	125V/15A /1875W
Housing Material	Plastic	Plastic	Plastic
AC Outlets	8	8	8
AC Outlet Type	Nema 5-15R	Nema 5-15R	Nema 5-15R
Plug type	Nema 5-15P	Nema 5-15P	Nema 5-15P
AC Cord Specs	SJT ; 14AWG	SJT ; 14AWG	SJT ; 14AWG
Power Cord Length	Min.1.5ft~ Max.25ft	Min.1.5ft~ Max.25ft	Min.1.5ft~ Max.25ft
Overload Protection	15 Amps	15 Amps	15 Amps
Circuit Breaker Switch	Yes	Yes	Yes
Power Shutdown Protection	Yes	Yes	Yes
Max. Joules Rating	1050 Joules	2100 Joules	3150 Joules
Max. Spike Current	19500 Amps	39000 Amps	58500 Amps
Max, Spike Voltage	6000V	6000V	6000V
Clamping Voltage (VPR)	400V ( L-N, N-G) 500V( L-G)	400V ( L-N, N-G) 500V( L-G)	400V ( L-N, N-G) 500V( L-G)
Response Time	< 1 nanosecond	< 1 nanosecond	< 1 nanosecond
Surge Protection Indicator	1*Green LED	1*Green LED	1*Green LED
Wire Fault Indicator	1*Red LED	1*Red LED	1*Red LED
EMI/ RFI Noise Filter	Attenuation Up to 20 dB Freq. 150Khz to 30Mhz	Attenuation Up to 20 dB Freq. 150Khz to 30Mhz	Attenuation Up to 20 dB Freq. 150Khz to 30Mhz
USB Charger	N/A	N/A	N/A
Phone/Network Protector	RJ45: 1 in-1 out	RJ45: 1 in-1 out	RJ45: 1 in-1 out
Coax Protection	F Connector	F Connector	F Connector
Product Dimension	L xW x Hmm	L xW x Hmm	L xW x Hmm



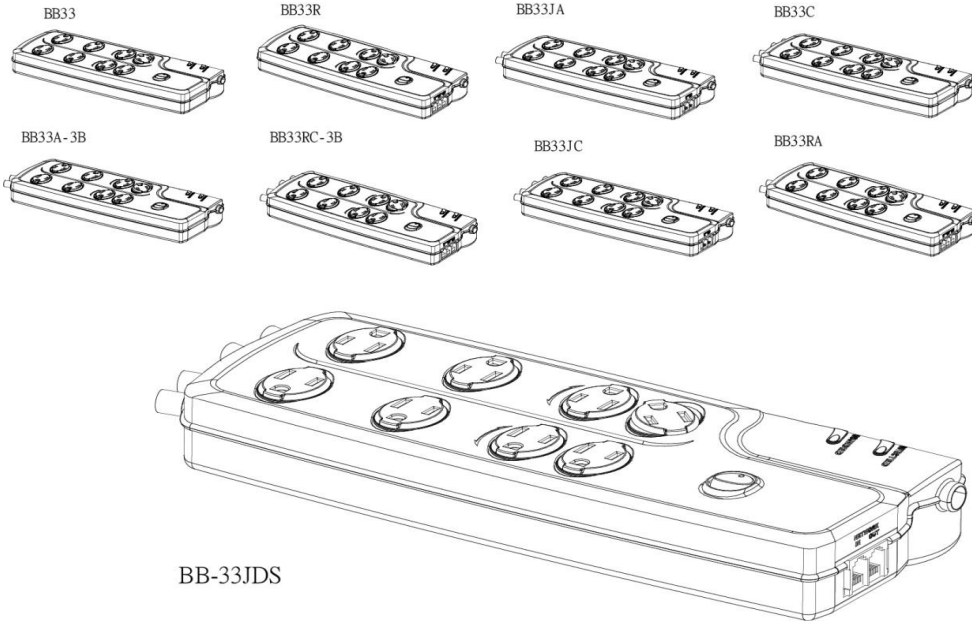
## 8 Outlet Surge Protector

Part No.	BB-33JC-3B	BB-33JC-6B	BB-33JC-9B
Electrical rating	125V/15A /1875W	125V/15A /1875W	125V/15A /1875W
Housing Material	Plastic	Plastic	Plastic
AC Outlets	8	8	8
AC Outlet Type	Nema 5-15R	Nema 5-15R	Nema 5-15R
Plug type	Nema 5-15P	Nema 5-15P	Nema 5-15P
AC Cord Specs	SJT ; 14AWG	SJT ; 14AWG	SJT ; 14AWG
Power Cord Length	Min.1.5ft~ Max.25ft	Min.1.5ft~ Max.25ft	Min.1.5ft~ Max.25ft
Overload Protection	15 Amps	15 Amps	15 Amps
Circuit Breaker Switch	Yes	Yes	Yes
Power Shutdown Protection	Yes	Yes	Yes
Max. Joules Rating	1050 Joules	2100 Joules	3150 Joules
Max. Spike Current	19500 Amps	39000 Amps	58500 Amps
Max, Spike Voltage	6000V	6000V	6000V
Clamping Voltage (VPR)	400V ( L-N, N-G) 500V( L-G)	400V ( L-N, N-G) 500V( L-G)	400V ( L-N, N-G) 500V( L-G)
Response Time	< 1 nanosecond	< 1 nanosecond	< 1 nanosecond
Surge Protection Indicator	1*Green LED	1*Green LED	1*Green LED
Wire Fault Indicator	1*Red LED	1*Red LED	1*Red LED
EMI/ RFI Noise Filter	Attenuation Up to 20 dB Freq. 150Khz to 30Mhz	Attenuation Up to 20 dB Freq. 150Khz to 30Mhz	Attenuation Up to 20 dB Freq. 150Khz to 30Mhz
USB Charger	N/A	N/A	N/A
Phone/Network Protector	RJ45: 1 in-1 out	RJ45: 1 in-1 out	RJ45: 1 in-1 out
Coax/Satellite Protection	F Connector	F Connector	F Connector
Product Dimension	L xW x Hmm	L xW x Hmm	L xW x Hmm



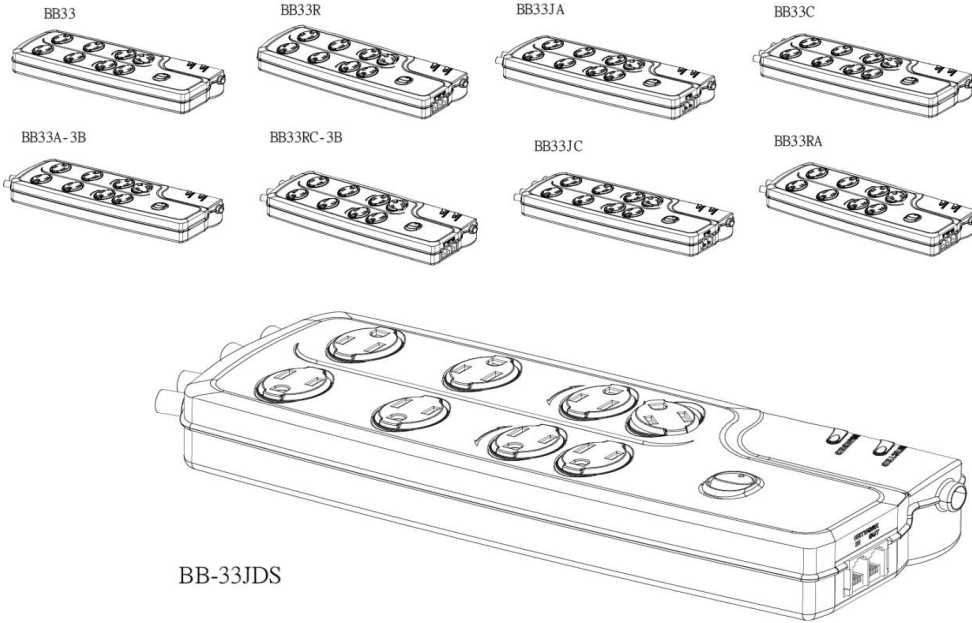
## 8 Outlet Surge Protector

Part No.	BB-33R-3B	BB-33R-6B	BB-33R-9B
Electrical rating	125V/15A /1875W	125V/15A /1875W	125V/15A /1875W
Housing Material	Plastic	Plastic	Plastic
AC Outlets	8	8	8
AC Outlet Type	Nema 5-15R	Nema 5-15R	Nema 5-15R
Plug type	Nema 5-15P	Nema 5-15P	Nema 5-15P
AC Cord Specs	SJT ; 14AWG	SJT ; 14AWG	SJT ; 14AWG
Power Cord Length	Min.1.5ft~ Max.25ft	Min.1.5ft~ Max.25ft	Min.1.5ft~ Max.25ft
Overload Protection	15 Amps	15 Amps	15 Amps
Circuit Breaker Switch	Yes	Yes	Yes
Power Shutdown Protection	Yes	Yes	Yes
Max. Joules Rating	1050 Joules	2100 Joules	3150 Joules
Max. Spike Current	19500 Amps	39000 Amps	58500 Amps
Max, Spike Voltage	6000V	6000V	6000V
Clamping Voltage (VPR)	400V ( L-N, N-G) 500V( L-G)	400V ( L-N, N-G) 500V( L-G)	400V ( L-N, N-G) 500V( L-G)
Response Time	< 1 nanosecond	< 1 nanosecond	< 1 nanosecond
Surge Protection Indicator	1*Green LED	1*Green LED	1*Green LED
Wire Fault Indicator	1*Red LED	1*Red LED	1*Red LED
EMI/ RFI Noise Filter	Attenuation Up to 20 dB Freq. 150Khz to 30Mhz	Attenuation Up to 20 dB Freq. 150Khz to 30Mhz	Attenuation Up to 20 dB Freq. 150Khz to 30Mhz
USB Charger	N/A	N/A	N/A
Phone/Network Protector	RJ11: 1 in-2 out	RJ11: 1 in-2 out	RJ11: 1 in-2 out
Coax/Satellite Protection	N/A	N/A	N/A
Product Dimension	L xW x Hmm	L xW x Hmm	L xW x Hmm



## 8 Outlet Surge Protector

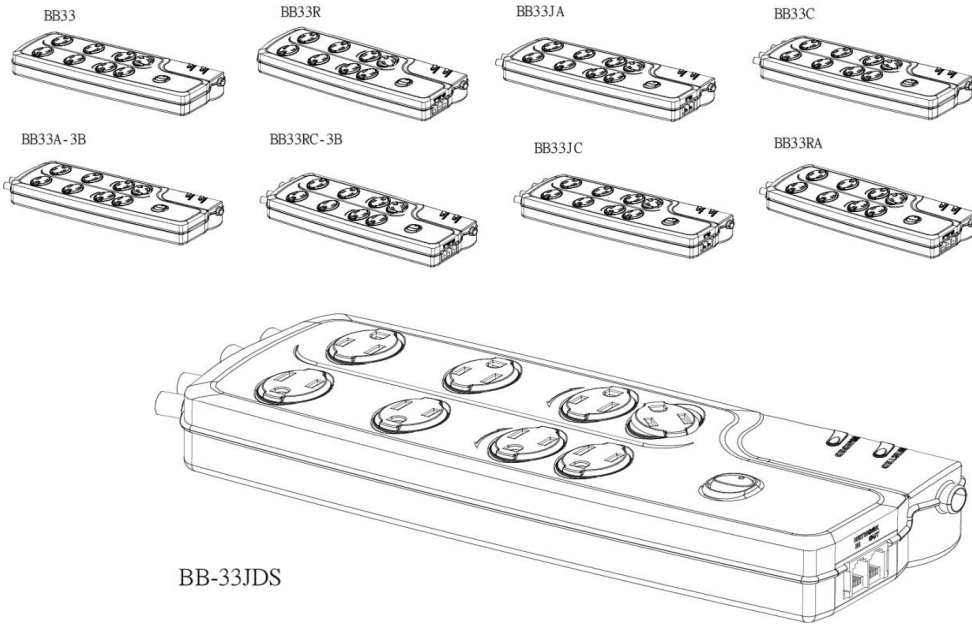
Part No.	BB-33RA-3B	BB-33RA-6B	BB-33RA-9B
<b>Electrical rating</b>	125V/15A /1875W	125V/15A /1875W	125V/15A /1875W
<b>Housing Material</b>	Plastic	Plastic	Plastic
<b>AC Outlets</b>	8	8	8
<b>AC Outlet Type</b>	Nema 5-15R	Nema 5-15R	Nema 5-15R
<b>Plug type</b>	Nema 5-15P	Nema 5-15P	Nema 5-15P
<b>AC Cord Specs</b>	SJT ; 14AWG	SJT ; 14AWG	SJT ; 14AWG
<b>Power Cord Length</b>	Min.1.5ft~ Max.25ft	Min.1.5ft~ Max.25ft	Min.1.5ft~ Max.25ft
<b>Overload Protection</b>	15 Amps	15 Amps	15 Amps
<b>Circuit Breaker Switch</b>	Yes	Yes	Yes
<b>Power Shutdown Protection</b>	Yes	Yes	Yes
<b>Max. Joules Rating</b>	1050 Joules	2100 Joules	3150 Joules
<b>Max. Spike Current</b>	19500 Amps	39000 Amps	58500 Amps
<b>Max, Spike Voltage</b>	6000V	6000V	6000V
<b>Clamping Voltage (VPR)</b>	400V ( L-N, N-G) 500V(L-G)	400V ( L-N, N-G) 500V( L-G)	400V ( L-N, N-G) 500V( L-G)
<b>Response Time</b>	< 1 nanosecond	< 1 nanosecond	< 1 nanosecond
<b>Surge Protection Indicator</b>	1*Green LED	1*Green LED	1*Green LED
<b>Wire Fault Indicator</b>	1*Red LED	1*Red LED	1*Red LED
<b>EMI/ RFI Noise Filter</b>	Attenuation Up to 20 dB Freq. 150Khz to 30Mhz	Attenuation Up to 20 dB Freq. 150Khz to 30Mhz	Attenuation Up to 20 dB Freq. 150Khz to 30Mhz
<b>USB Charger</b>	N/A	N/A	N/A
<b>Phone/Network Protector</b>	RJ11: 1 in-2 out	RJ11: 1 in-2 out	RJ11: 1 in-2 out
<b>Coax Protection</b>	F Connector	F Connector	F Connector
<b>Product Dimension</b>	L xW x Hmm	L xW x Hmm	L xW x Hmm



## 8 Outlet Surge Protector

Part No.	BB-33RC-3B	BB-33RC-6B	BB-33RC-9B
Electrical rating	125V/15A /1875W	125V/15A /1875W	125V/15A /1875W
Housing Material	Plastic	Plastic	Plastic
AC Outlets	8	8	8
AC Outlet Type	Nema 5-15R	Nema 5-15R	Nema 5-15R
Plug type	Nema 5-15P	Nema 5-15P	Nema 5-15P
AC Cord Specs	SJT ; 14AWG	SJT ; 14AWG	SJT ; 14AWG
Power Cord Length	Min.1.5ft~ Max.25ft	Min.1.5ft~ Max.25ft	Min.1.5ft~ Max.25ft
Overload Protection	15 Amps	15 Amps	15 Amps
Circuit Breaker Switch	Yes	Yes	Yes
Power Shutdown Protection	Yes	Yes	Yes
Max. Joules Rating	1050 Joules	2100 Joules	3150 Joules
Max. Spike Current	19500 Amps	39000 Amps	58500 Amps
Max, Spike Voltage	6000V	6000V	6000V
Clamping Voltage (VPR)	400V ( L-N, N-G) 500V(L-G)	400V ( L-N, N-G) 500V( L-G)	400V ( L-N, N-G) 500V( L-G)
Response Time	< 1 nanosecond	< 1 nanosecond	< 1 nanosecond
Surge Protection Indicator	1*Green LED	1*Green LED	1*Green LED
Wire Fault Indicator	1*Red LED	1*Red LED	1*Red LED
EMI/ RFI Noise Filter	Attenuation Up to 20 dB Freq. 150Khz to 30Mhz	Attenuation Up to 20 dB Freq. 150Khz to 30Mhz	Attenuation Up to 20 dB Freq. 150Khz to 30Mhz
USB Charger	N/A	N/A	N/A
Phone/Network Protector	RJ11: 1 in-2 out	RJ11: 1 in-2 out	RJ11: 1 in-2 out
Coax/Satellite Protection	F Connector	F Connector	F Connector
Product Dimension	L xW x Hmm	L xW x Hmm	L xW x Hmm





## 8 Outlet Surge Protector

<b>Part No.</b>	<b>BB-33JDS-3B</b>		
<b>Electrical rating</b>	125V/15A /1875W		
<b>Housing Material</b>	Plastic		
<b>AC Outlets</b>	8		
<b>AC Outlet Type</b>	Nema 5-15R		
<b>Plug type</b>	Nema 5-15P		
<b>AC Cord Specs</b>	SJT ; 14AWG		
<b>Power Cord Length</b>	Min.1.5ft~ Max.25ft		
<b>Overload Protection</b>	15 Amps		
<b>Circuit Breaker Switch</b>	Yes		
<b>Power Shutdown Protection</b>	Yes		
<b>Max. Joules Rating</b>	1050 Joules		
<b>Max. Spike Current</b>	19500 Amps		
<b>Max, Spike Voltage</b>	6000V		
<b>Clamping Voltage (VPR)</b>	400V ( L-N, N-G) 500V(L-G)		
<b>Response Time</b>	< 1 nanosecond		
<b>Surge Protection Indicator</b>	1*Green LED		
<b>Wire Fault Indicator</b>	1*Red LED		
<b>EMI/ RFI Noise Filter</b>	Attenuation Up to 20 dB Freq. 150Khz to 30Mhz		
<b>USB Charger</b>	N/A		
<b>Phone/Network Protector</b>	RJ45: 1 in-1 out		
<b>Satellite Protection</b>	F Connector		
<b>Product Dimension</b>	L xW x Hmm		