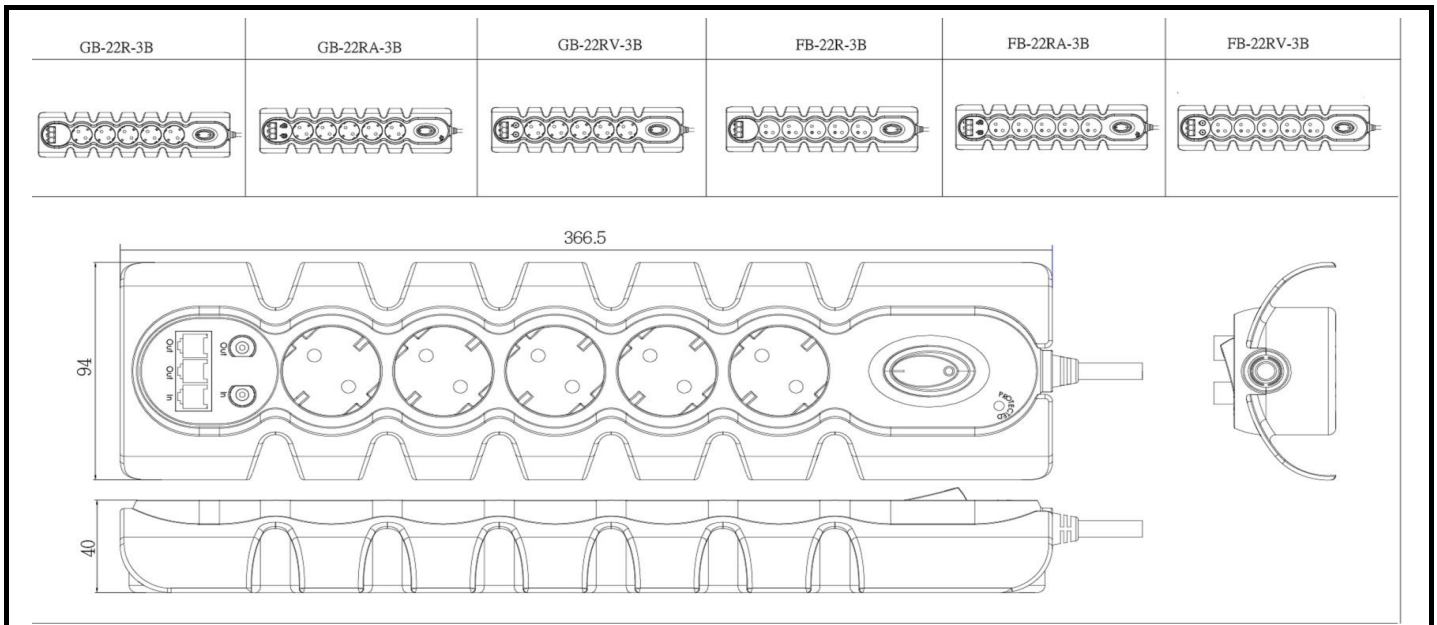


5 Outlets Overtoltage & Surge Protector

Part No.	GB-22R-3B	GB-22RA-3B	GB-22RV-3B
Electrical rating	230V/16A /3680W	230V/16A /3680W	230V/16A /3680W
Housing Material	Plastic	Plastic	Plastic
AC Outlets	5	5	5
AC Outlet Type	Schuko	Schuko	Schuko
Plug type	Schuko	Schuko	Schuko
AC Cord Specs	H05VV-F 3G 1.00MM ² / H05VV-F 3G 1.50MM ²	H05VV-F 3G 1.00MM ² / H05VV-F 3G 1.50MM ²	H05VV-F 3G 1.00MM ² / H05VV-F 3G 1.50MM ²
Power Cord Length	1.8m	1.8m	1.8m
Overload Protection	16 Amps	16 Amps	16 Amps
Circuit Breaker Switch	Yes	Yes	Yes
Power Shutdown Protection	N/A	N/A	N/A
Max. Joules Rating	1140 Joules	1140 Joules	1140 Joules
Max. Spike Current	19500A	19500A	19500A
Max, Spike Voltage	6000V	6000V	6000V
Clamping Voltage (VPR)	1000V	1000V	775V
Response Time	< 1 nanosecond	< 1 nanosecond	< 1 nanosecond
Surge Protection Indicator	Yes	Yes	Yes
Grounded Indicator	N/A	N/A	N/A
EMI/ RFI Noise Filter	Attenuation Up to 20 dB Freq. 150Khz to 30Mhz	Attenuation Up to 20 dB Freq. 150Khz to 30Mhz	Attenuation Up to 20 dB Freq. 150Khz to 30Mhz
USB Charger	N/A	N/A	N/A
Phone/Network Protector	RJ11:1 in 2 out	RJ11:1 in 2 out	RJ11:1 in 2 out
Coax Protection	N/A	F Connector	N/A
Satellite Protection	N/A	N/A	F Connector
Product Dimension	L366.5xW94xH40mm	L366.5xW94xH40mm	L366.5xW94xH40mm



5 Outlets Overtoltage & Surge Protector

Part No.	FB-22R-3B	FB-22RA-3B	FB-22RV-3B
Electrical rating	230V/16A /3680W	230V/16A /3680W	230V/16A /3680W
Housing Material	Plastic	Plastic	Plastic
AC Outlets	5	5	5
AC Outlet Type	French	French	French
Plug type	French	French	French
AC Cord Specs	H05VV-F 3G 1.00MM ² / H05VV-F 3G 1.50MM ²	H05VV-F 3G 1.00MM ² / H05VV-F 3G 1.50MM ²	H05VV-F 3G 1.00MM ² / H05VV-F 3G 1.50MM ²
Power Cord Length	1.8m	1.8m	1.8m
Overload Protection	16 Amps	16 Amps	16 Amps
Circuit Breaker Switch	Yes	Yes	Yes
Power Shutdown Protection	N/A	N/A	N/A
Max. Joules Rating	1140 Joules	1140 Joules	1140 Joules
Max. Spike Current	19500A	19500A	19500A
Max, Spike Voltage	6000V	6000V	6000V
Clamping Voltage (VPR)	1000V	1000V	775V
Response Time	< 1 nanosecond	< 1 nanosecond	< 1 nanosecond
Surge Protection Indicator	Yes	Yes	Yes
Grounded Indicator	N/A	N/A	N/A
EMI/ RFI Noise Filter	Attenuation Up to 20 dB Freq. 150Khz to 30Mhz	Attenuation Up to 20 dB Freq. 150Khz to 30Mhz	Attenuation Up to 20 dB Freq. 150Khz to 30Mhz
USB Charger	N/A	N/A	N/A
Phone/Network Protector	RJ11:1 in 2 out	RJ11:1 in 2 out	RJ11:1 in 2 out
Coax Protection	N/A	F Connector	N/A
Satellite Protection	N/A	N/A	F Connector
Product Dimension	L366.5xW94xH40mm	L366.5xW94xH40mm	L366.5xW94xH40mm