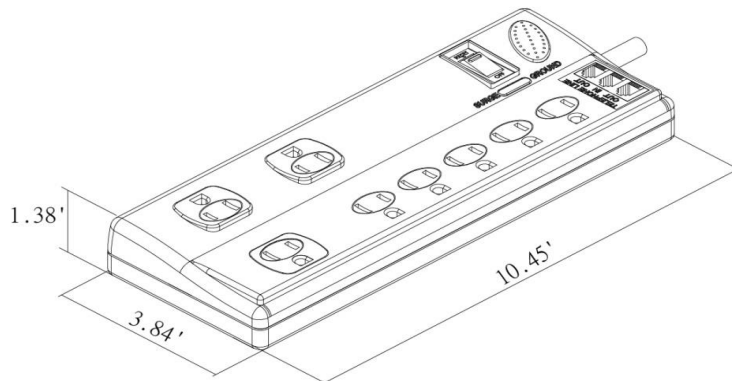
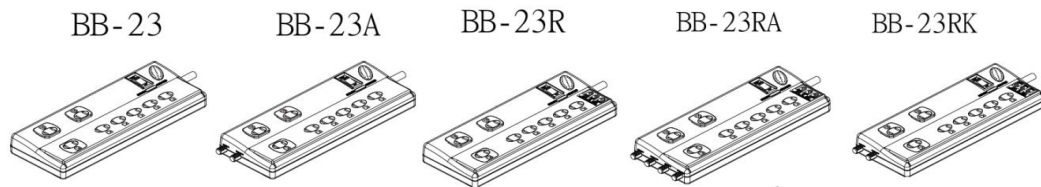


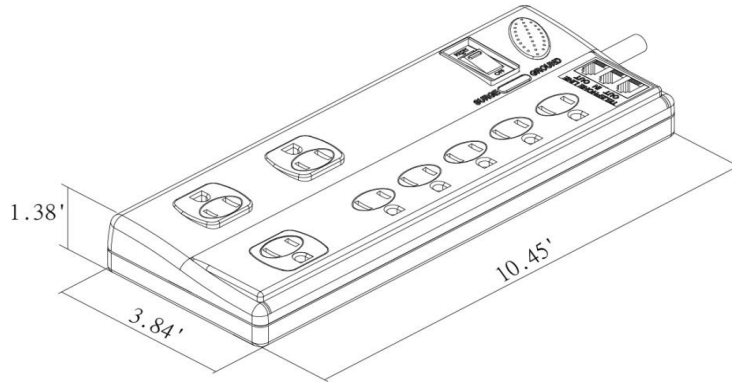
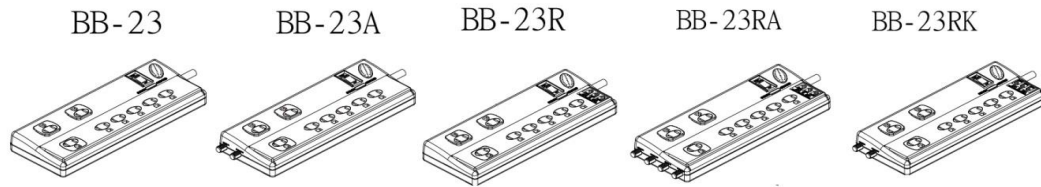
8 Outlet Surge Protector

Part No.	BB-23-31	BB-23-32	BB-23-33
Electrical rating	125V/15A /1875W	125V/15A /1875W	125V/15A /1875W
Housing Material	Plastic	Plastic	Plastic
AC Outlets	8	8	8
AC Outlet Type	Nema 5-15R	Nema 5-15R	Nema 5-15R
Plug type	Nema 5-15P	Nema 5-15P	Nema 5-15P
AC Cord Specs	SJT ; 14AWG	SJT ; 14AWG	SJT ; 14AWG
Power Cord Length	Min.1.5ft~ Max.25ft	Min.1.5ft~ Max.25ft	Min.1.5ft~ Max.25ft
Overload Protection	15 Amps	15 Amps	15 Amps
Circuit Breaker Switch	Lighted SW	Lighted SW	Lighted SW
Power Shutdown	Yes	Yes	Yes
Max. Joules Rating	2100 Joules	3150 Joules	4200 Joules
Max. Spike Current	26000 Amps	32500 Amps	39000 Amps
Max, Spike Voltage	6000V	6000V	6000V
Clamping Voltage (VPR)	400V (L-N) 500V(L-G, N-G)	400V (L-N) 500V(L-G, N-G)	400V (L-N) 500V(L-G, N-G)
Response Time	< 1 nanosecond	< 1 nanosecond	< 1 nanosecond
Surge Protection Indicator	1*Green LED	1*Green LED	1*Green LED
Wire Fault Indicator	1*Red LED	1*Red LED	1*Red LED
EMI/ RFI Noise Filter	Attenuation Up to 20 dB Freq. 150Khz to 30Mhz	Attenuation Up to 20 dB Freq. 150Khz to 30Mhz	Attenuation Up to 20 dB Freq. 150Khz to 30Mhz
USB Charger	N/A	N/A	N/A
Phone/Network Protector	N/A	N/A	N/A
Coax Protection	N/A	N/A	N/A
Product Dimension	L104.5x W38.4 x H13.8mm	L104.5x W38.4 x H13.8mm	L104.5x W38.4 x H13.8mm



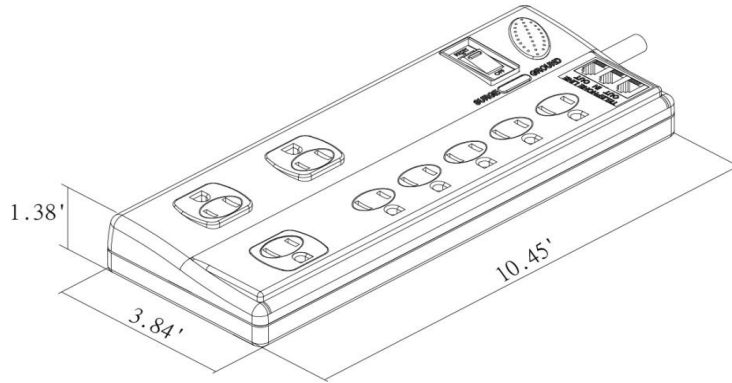
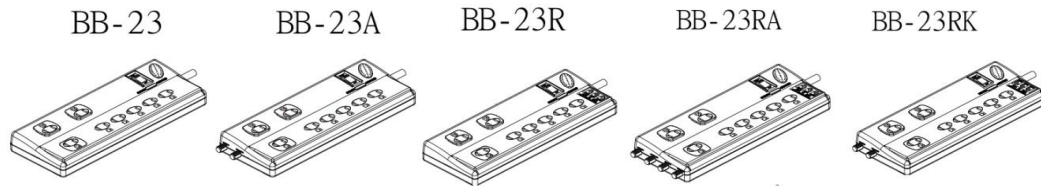
8 Outlet Surge Protector

Part No.	BB-23R-31	BB-23R-32	BB-23R-33
Electrical rating	125V/15A /1875W	125V/15A /1875W	125V/15A /1875W
Housing Material	Plastic	Plastic	Plastic
AC Outlets	8	8	8
AC Outlet Type	Nema 5-15R	Nema 5-15R	Nema 5-15R
Plug type	Nema 5-15P	Nema 5-15P	Nema 5-15P
AC Cord Specs	SJT ; 14AWG	SJT ; 14AWG	SJT ; 14AWG
Power Cord Length	Min.1.5ft~ Max.25ft	Min.1.5ft~ Max.25ft	Min.1.5ft~ Max.25ft
Overload Protection	15 Amps	15 Amps	15 Amps
Circuit Breaker Switch	Lighted SW	Lighted SW	Lighted SW
Power Shutdown Protection	Yes	Yes	Yes
Max. Joules Rating	2100 Joules	3150 Joules	4200 Joules
Max. Spike Current	26000 Amps	32500 Amps	39000 Amps
Max, Spike Voltage	6000V	6000V	6000V
Clamping Voltage (VPR)	400V (L-N) 500V(L-G, N-G)	400V (L-N) 500V(L-G, N-G)	400V (L-N) 500V(L-G, N-G)
Response Time	< 1 nanosecond	< 1 nanosecond	< 1 nanosecond
Surge Protection Indicator	1*Green LED	1*Green LED	1*Green LED
Wire Fault Indicator	1*Red LED	1*Red LED	1*Red LED
EMI/ RFI Noise Filter	Attenuation Up to 20 dB Freq. 150Khz to 30Mhz	Attenuation Up to 20 dB Freq. 150Khz to 30Mhz	Attenuation Up to 20 dB Freq. 150Khz to 30Mhz
USB Charger	N/A	N/A	N/A
Phone/Network Protector	RJ11 : 1 in -2 out	RJ11 : 1 in -2 out	RJ11 : 1 in -2 out
Coax Protection	N/A	N/A	N/A
Product Dimension	L104.5x W38.4 x H13.8mm	L104.5x W38.4 x H13.8mm	L104.5x W38.4 x H13.8mm



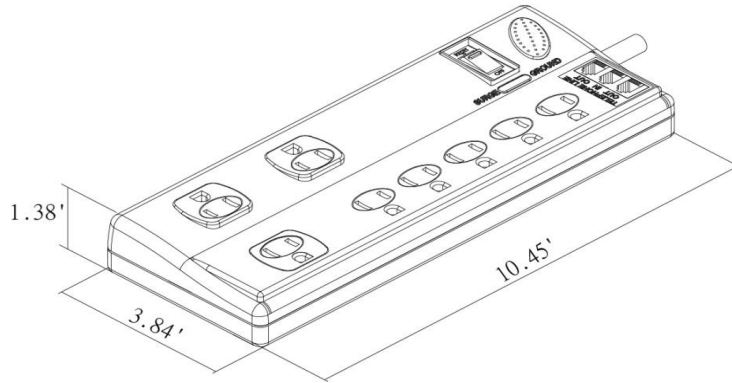
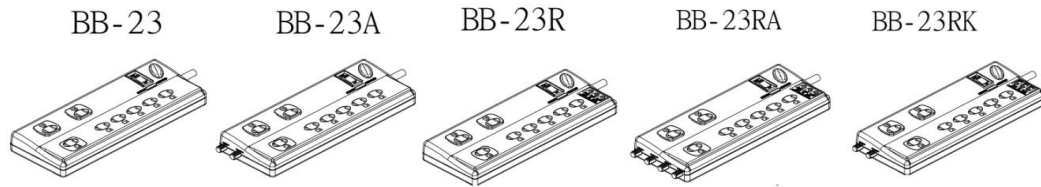
8 Outlet Surge Protector

Part No.	BB-23A-31	BB-23A-32	BB-23A-33
Electrical rating	125V/15A /1875W	125V/15A /1875W	125V/15A /1875W
Housing Material	Plastic	Plastic	Plastic
AC Outlets	8	8	8
AC Outlet Type	Nema 5-15R	Nema 5-15R	Nema 5-15R
Plug type	Nema 5-15P	Nema 5-15P	Nema 5-15P
AC Cord Specs	SJT ; 14AWG	SJT ; 14AWG	SJT ; 14AWG
Power Cord Length	Min.1.5ft~ Max.25ft	Min.1.5ft~ Max.25ft	Min.1.5ft~ Max.25ft
Overload Protection	15 Amps	15 Amps	15 Amps
Circuit Breaker Switch	Lighted SW	Lighted SW	Lighted SW
Power Shutdown Protection	Yes	Yes	Yes
Max. Joules Rating	2100 Joules	3150 Joules	4200 Joules
Max. Spike Current	26000 Amps	32500 Amps	39000 Amps
Max, Spike Voltage	6000V	6000V	6000V
Clamping Voltage (VPR)	400V (L-N) 500V(L-G, N-G)	400V (L-N) 500V(L-G, N-G)	400V (L-N) 500V(L-G, N-G)
Response Time	< 1 nanosecond	< 1 nanosecond	< 1 nanosecond
Surge Protection Indicator	1*Green LED	1*Green LED	1*Green LED
Wire Fault Indicator	1*Red LED	1*Red LED	1*Red LED
EMI/ RFI Noise Filter	Attenuation Up to 20 dB Freq. 150Khz to 30Mhz	Attenuation Up to 20 dB Freq. 150Khz to 30Mhz	Attenuation Up to 20 dB Freq. 150Khz to 30Mhz
USB Charger	N/A	N/A	N/A
Phone/Network Protector	N/A	N/A	N/A
Coax Protection	F connector	F connector	F connector
Product Dimension	L104.5x W38.4 x H13.8mm	L104.5x W38.4 x H13.8mm	L104.5x W38.4 x H13.8mm



8 Outlet Surge Protector

Part No.	BB-23RA-31	BB-23RA-32	BB-23RA-33
Electrical rating	125V/15A /1875W	125V/15A /1875W	125V/15A /1875W
Housing Material	Plastic	Plastic	Plastic
AC Outlets	8	8	8
AC Outlet Type	Nema 5-15R	Nema 5-15R	Nema 5-15R
Plug type	Nema 5-15P	Nema 5-15P	Nema 5-15P
AC Cord Specs	SJT ; 14AWG	SJT ; 14AWG	SJT ; 14AWG
Power Cord Length	Min.1.5ft~ Max.25ft	Min.1.5ft~ Max.25ft	Min.1.5ft~ Max.25ft
Overload Protection	15 Amps	15 Amps	15 Amps
Circuit Breaker Switch	Lighted SW	Lighted SW	Lighted SW
Power Shutdown Protection	Yes	Yes	Yes
Max. Joules Rating	2100 Joules	3150 Joules	4200 Joules
Max. Spike Current	26000 Amps	32500 Amps	39000 Amps
Max, Spike Voltage	6000V	6000V	6000V
Clamping Voltage (VPR)	400V (L-N) 500V(L-G, N-G)	400V (L-N) 500V(L-G, N-G)	400V (L-N) 500V(L-G, N-G)
Response Time	< 1 nanosecond	< 1 nanosecond	< 1 nanosecond
Surge Protection Indicator	1*Green LED	1*Green LED	1*Green LED
Wire Fault Indicator	1*Red LED	1*Red LED	1*Red LED
EMI/ RFI Noise Filter	Attenuation Up to 20 dB Freq. 150Khz to 30Mhz	Attenuation Up to 20 dB Freq. 150Khz to 30Mhz	Attenuation Up to 20 dB Freq. 150Khz to 30Mhz
USB Charger	N/A	N/A	N/A
Phone/Network Protector	RJ11 : 1 in -2 out	RJ11 : 1 in -2 out	RJ11 : 1 in -2 out
Coax Protection	2 sets of F connector	2 sets of F connector	2 sets of F connector
Product Dimension	L104.5x W38.4 x H13.8mm	L104.5x W38.4 x H13.8mm	L104.5x W38.4 x H13.8mm



8 Outlet Surge Protector

Part No.	BB-23RK-31	BB-23RK-32	BB-23RK-33
Electrical rating	125V/15A /1875W	125V/15A /1875W	125V/15A /1875W
Housing Material	Plastic	Plastic	Plastic
AC Outlets	8	8	8
AC Outlet Type	Nema 5-15R	Nema 5-15R	Nema 5-15R
Plug type	Nema 5-15P	Nema 5-15P	Nema 5-15P
AC Cord Specs	SJT ; 14AWG	SJT ; 14AWG	SJT ; 14AWG
Power Cord Length	Min.1.5ft~ Max.25ft	Min.1.5ft~ Max.25ft	Min.1.5ft~ Max.25ft
Overload Protection	15 Amps	15 Amps	15 Amps
Circuit Breaker Switch	Lighted SW	Lighted SW	Lighted SW
Power Shutdown Protection	Yes	Yes	Yes
Max. Joules Rating	2100 Joules	3150 Joules	4200 Joules
Max. Spike Current	26000 Amps	32500 Amps	39000 Amps
Max, Spike Voltage	6000V	6000V	6000V
Clamping Voltage (VPR)	400V (L-N) 500V(L-G, N-G)	400V (L-N) 500V(L-G, N-G)	400V (L-N) 500V(L-G, N-G)
Response Time	< 1 nanosecond	< 1 nanosecond	< 1 nanosecond
Surge Protection Indicator	1*Green LED	1*Green LED	1*Green LED
Wire Fault Indicator	1*Red LED	1*Red LED	1*Red LED
EMI/ RFI Noise Filter	Attenuation Up to 20 dB Freq. 150Khz to 30Mhz	Attenuation Up to 20 dB Freq. 150Khz to 30Mhz	Attenuation Up to 20 dB Freq. 150Khz to 30Mhz
USB Charger	N/A	N/A	N/A
Phone/Network Protector	RJ11: 1 in - 2 out	RJ11: 1 in - 2 out	RJ11: 1 in - 2 out
Coax Protection	F connector	F connector	F connector
Product Dimension	L104.5x W38.4 x H13.8mm	L104.5x W38.4 x H13.8mm	L104.5x W38.4 x H13.8mm