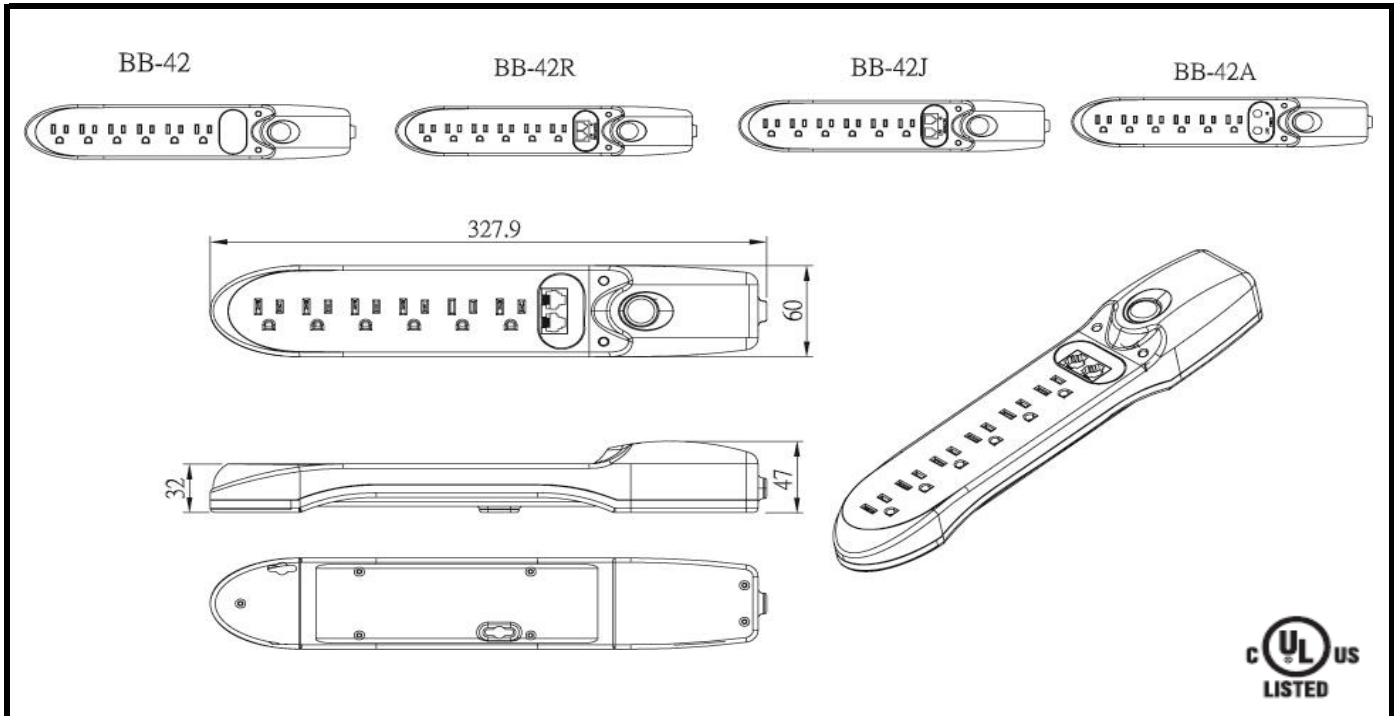


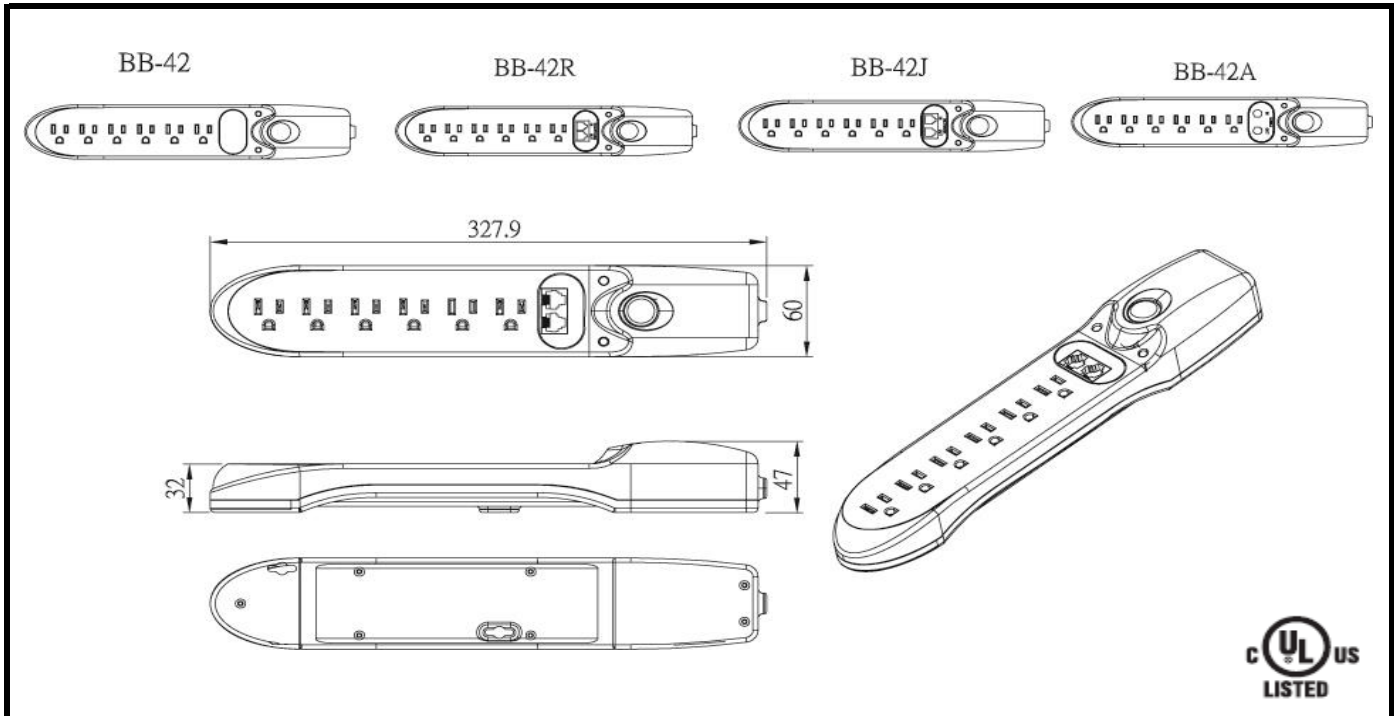
6 Outlet Surge Protector

Part No.	BB-42-3B	BB-42-6B
Electrical rating	125V/15A /1875W	125V/15A /1875W
Housing Material	Plastic	Plastic
AC Outlets	6	6
AC Outlet Type	Nema 5-15R	Nema 5-15R
Plug type	Nema 5-15P	Nema 5-15P
AC Cord Specs	SJT ; 14AWG	SJT ; 14AWG
Power Cord Length	Min.1.5ft~ Max.25ft	Min.1.5ft~ Max.25ft
Overload Protection	15 Amps	15 Amps
Circuit Breaker Switch	Push-Button	Push-Button
Power Shutdown Protection	Yes	Yes
Max. Joules Rating	1050 Joules	2100 Joules
Max. Spike Current	19500 Amps	39000 Amps
Max, Spike Voltage	6000V	6000V
Clamping Voltage (VPR)	400V (L-N, L-G, N-G)	400V (L-N, L-G, N-G)
Response Time	< 1 nanosecond	< 1 nanosecond
Surge Protection Indicator	1*Green LED	1*Green LED
Wire Fault Indicator	1*Red LED	1*Red LED
EMI/ RFI Noise Filter	Attenuation Up to 20 dB Freq. 150Khz to 30Mhz	Attenuation Up to 20 dB Freq. 150Khz to 30Mhz
USB Charger	N/A	N/A
Phone/Network Protector	N/A	N/A
Coax Protection	N/A	N/A
Product Dimension	L327.9 x W60 x H47mm	L327.9 x W60 x H47mm



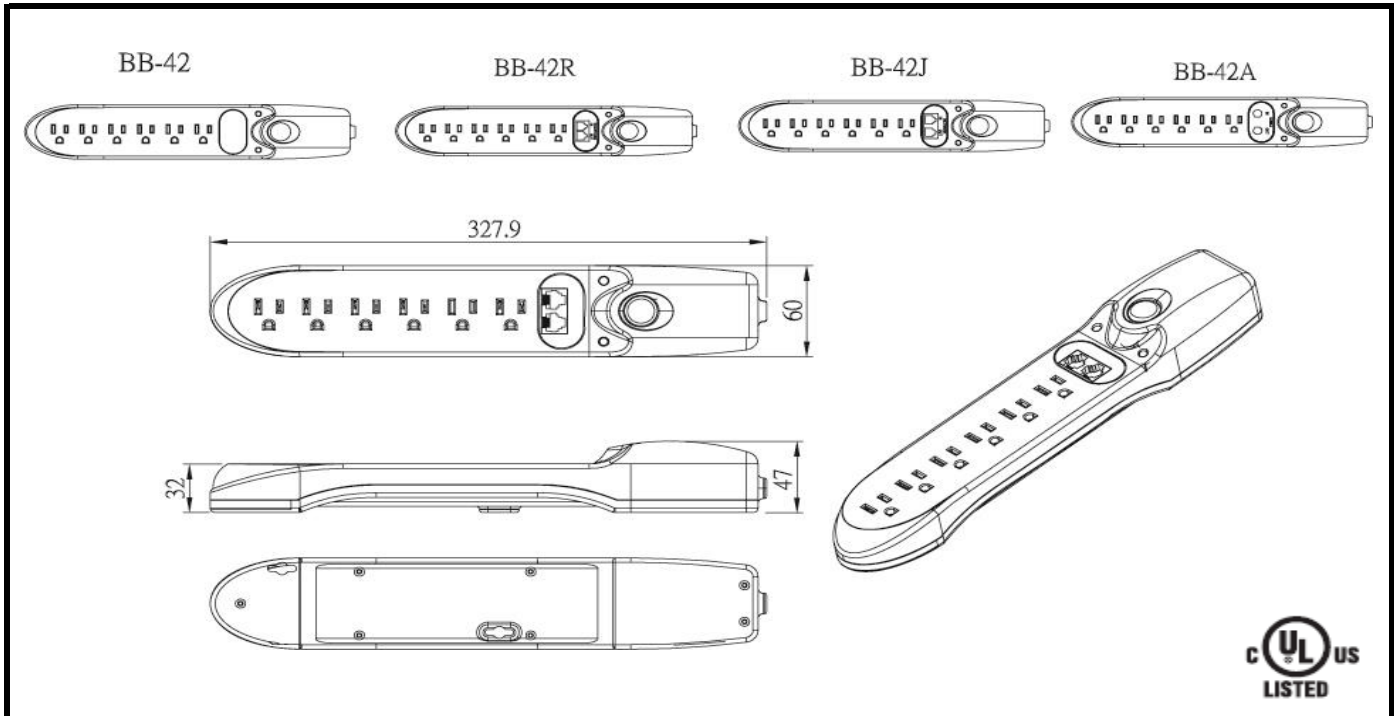
6 Outlet Surge Protector

Part No.	BB-42R-3B	BB-42R-6B
Electrical rating	125V/15A /1875W	125V/15A /1875W
Housing Material	Plastic	Plastic
AC Outlets	6	6
AC Outlet Type	Nema 5-15R	Nema 5-15R
Plug type	Nema 5-15P	Nema 5-15P
AC Cord Specs	SJT ; 14AWG	SJT ; 14AWG
Power Cord Length	Min.1.5ft~ Max.25ft	Min.1.5ft~ Max.25ft
Overload Protection	15 Amps	15 Amps
Circuit Breaker Switch	Push-Button	Push-Button
Power Shutdown Protection	Yes	Yes
Max. Joules Rating	1050 Joules	2100 Joules
Max. Spike Current	19500 Amps	39000 Amps
Max, Spike Voltage	6000V	6000V
Clamping Voltage (VPR)	400V (L-N, L-G, N-G)	400V (L-N, L-G, N-G)
Response Time	< 1 nanosecond	< 1 nanosecond
Surge Protection Indicator	1*Green LED	1*Green LED
Wire Fault Indicator	1*Red LED	1*Red LED
EMI/ RFI Noise Filter	Attenuation Up to 20 dB Freq. 150Khz to 30Mhz	Attenuation Up to 20 dB Freq. 150Khz to 30Mhz
USB Charger	N/A	N/A
Phone/Network Protector	RJ11: 1 in-1 out	RJ11: 1 in-1 out
Coax Protection	N/A	N/A
Product Dimension	L327.9 x W60 x H47mm	L327.9 x W60 x H47mm



6 Outlet Surge Protector

Part No.	BB-42A-3B	BB-42A-6B
Electrical rating	125V/15A /1875W	125V/15A /1875W
Housing Material	Plastic	Plastic
AC Outlets	6	6
AC Outlet Type	Nema 5-15R	Nema 5-15R
Plug type	Nema 5-15P	Nema 5-15P
AC Cord Specs	SJT ; 14AWG	SJT ; 14AWG
Power Cord Length	Min.1.5ft~ Max.25ft	Min.1.5ft~ Max.25ft
Overload Protection	15 Amps	15 Amps
Circuit Breaker Switch	Push-Button	Push-Button
Power Shutdown Protection	Yes	Yes
Max. Joules Rating	1050 Joules	2100 Joules
Max. Spike Current	19500 Amps	39000 Amps
Max, Spike Voltage	6000V	6000V
Clamping Voltage (VPR)	400V (L-N, L-G, N-G)	400V (L-N, L-G, N-G)
Response Time	< 1 nanosecond	< 1 nanosecond
Surge Protection Indicator	1*Green LED	1*Green LED
Wire Fault Indicator	1*Red LED	1*Red LED
EMI/ RFI Noise Filter	Attenuation Up to 20 dB Freq. 150Khz to 30Mhz	Attenuation Up to 20 dB Freq. 150Khz to 30Mhz
USB Charger	N/A	N/A
Phone/Network Protector	N/A	N/A
Coax Protection	F Connector	F Connector
Product Dimension	L327.9 x W60 x H47mm	L327.9 x W60 x H47mm



6 Outlet Surge Protector

Part No.	BB-42J-3B	BB-42J-6B
Electrical rating	125V/15A /1875W	125V/15A /1875W
Housing Material	Plastic	Plastic
AC Outlets	6	6
AC Outlet Type	Nema 5-15R	Nema 5-15R
Plug type	Nema 5-15P	Nema 5-15P
AC Cord Specs	SJT ; 14AWG	SJT ; 14AWG
Power Cord Length	Min.1.5ft~ Max.25ft	Min.1.5ft~ Max.25ft
Overload Protection	15 Amps	15 Amps
Circuit Breaker Switch	Push-Button	Push-Button
Power Shutdown Protection	Yes	Yes
Max. Joules Rating	1050 Joules	2100 Joules
Max. Spike Current	19500 Amps	39000 Amps
Max, Spike Voltage	6000V	6000V
Clamping Voltage (VPR)	400V (L-N, L-G, N-G)	400V (L-N, L-G, N-G)
Response Time	< 1 nanosecond	< 1 nanosecond
Surge Protection Indicator	1*Green LED	1*Green LED
Wire Fault Indicator	1*Red LED	1*Red LED
EMI/ RFI Noise Filter	Attenuation Up to 20 dB Freq. 150Khz to 30Mhz	Attenuation Up to 20 dB Freq. 150Khz to 30Mhz
USB Charger	N/A	N/A
Phone/Network Protector	RJ45: 1 in-1 out	RJ45: 1 in-1 out
Coax Protection	N/A	N/A
Product Dimension	L327.9 x W60 x H47mm	L327.9 x W60 x H47mm