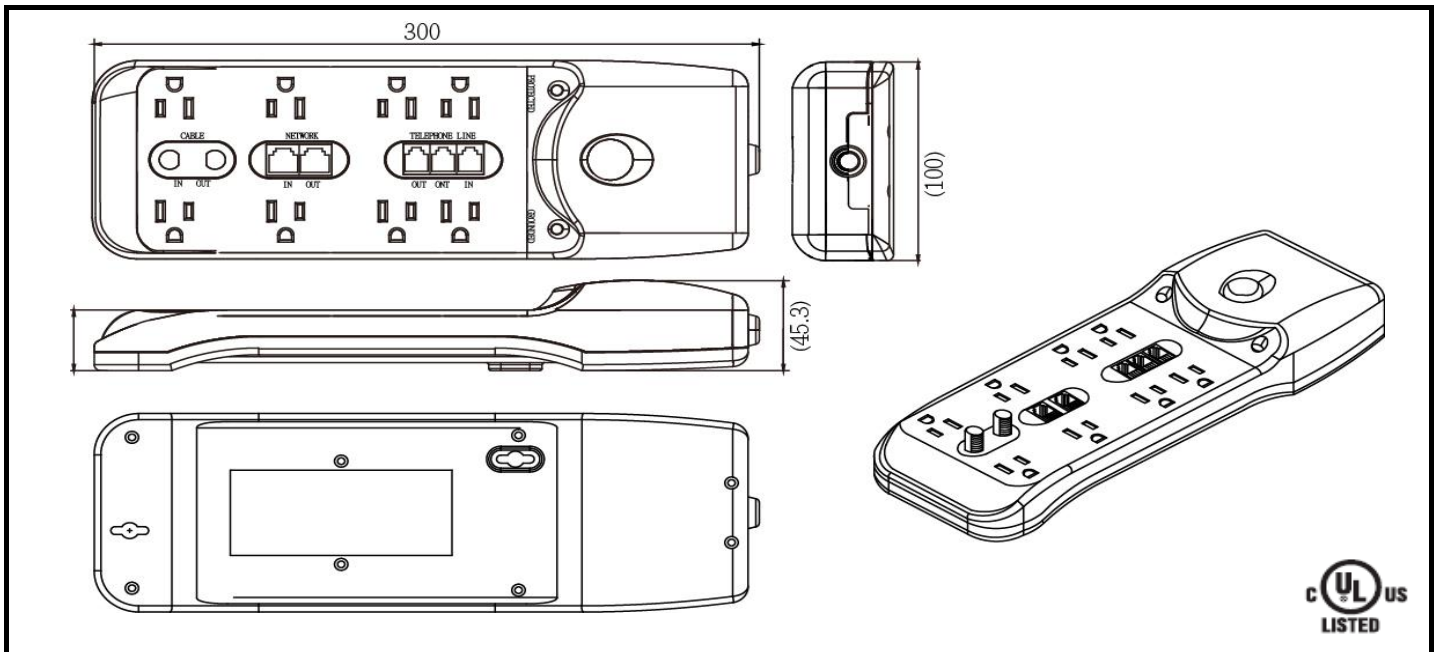


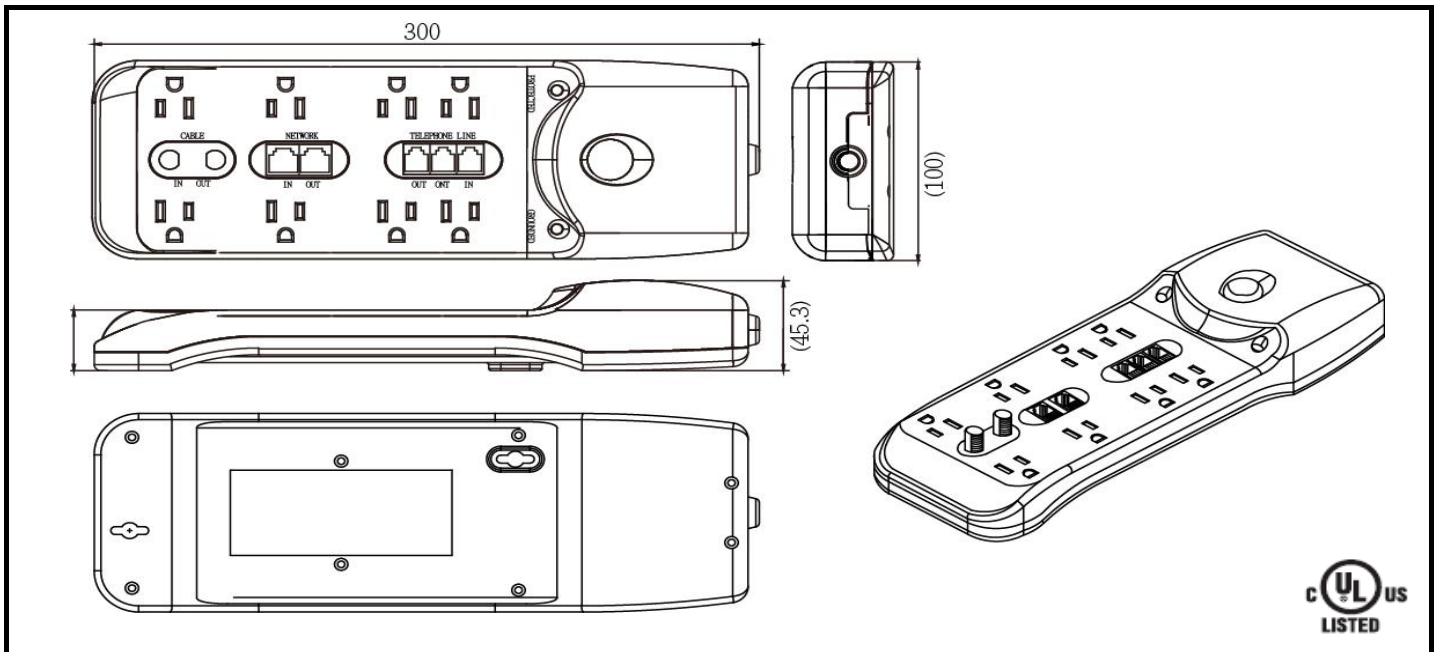
8 Outlet Surge Protector (4 Transformers outlets)

Part No.	BB-44-3B	BB-44-6B	BB-44-9B
Electrical rating	125V/15A /1875W	125V/15A /1875W	125V/15A /1875W
Housing Material	Plastic	Plastic	Plastic
AC Outlets	8	8	8
AC Outlet Type	Nema 5-15R	Nema 5-15R	Nema 5-15R
Plug type	Nema 5-15P	Nema 5-15P	Nema 5-15P
AC Cord Specs	SJT ; 14AWG	SJT ; 14AWG	SJT ; 14AWG
Power Cord Length	Min.1.5ft~ Max.25ft	Min.1.5ft~ Max.25ft	Min.1.5ft~ Max.25ft
Overload Protection	15 Amps	15 Amps	15 Amps
Circuit Breaker Switch	Push Button	Push Button	Push Button
Power Shutdown Protection	Yes	Yes	Yes
Max. Joules Rating	1050 Joules	2100 Joules	3150 Joules
Max. Spike Current	19500 Amps	39000 Amps	58500Amps
Max, Spike Voltage	6000V	6000V	6000V
Clamping Voltage (VPR)	400V (L-N,N-G) 500V(L-G)	400V (L-N,N-G) 500V(L-G)	400V (L-N,N-G) 500V(L-G)
Response Time	< 1 nanosecond	< 1 nanosecond	< 1 nanosecond
Surge Protection Indicator	1*Green LED	1*Green LED	1*Green LED
Wire Fault Indicator	1*Red LED	1*Red LED	1*Red LED
EMI/ RFI Noise Filter	Attenuation Up to 20 dB Freq. 150Khz to 30Mhz	Attenuation Up to 20 dB Freq. 150Khz to 30Mhz	Attenuation Up to 20 dB Freq. 150Khz to 30Mhz
USB Charger	N/A	N/A	N/A
Phone/Network Protector	N/A	N/A	N/A
Coax/Satellite Protection	N/A	N/A	N/A
Product Dimension	L300 x W100 x 45.3Hmm	L300 x W100 x 45.3Hmm	L300 x W100 x 45.3Hmm



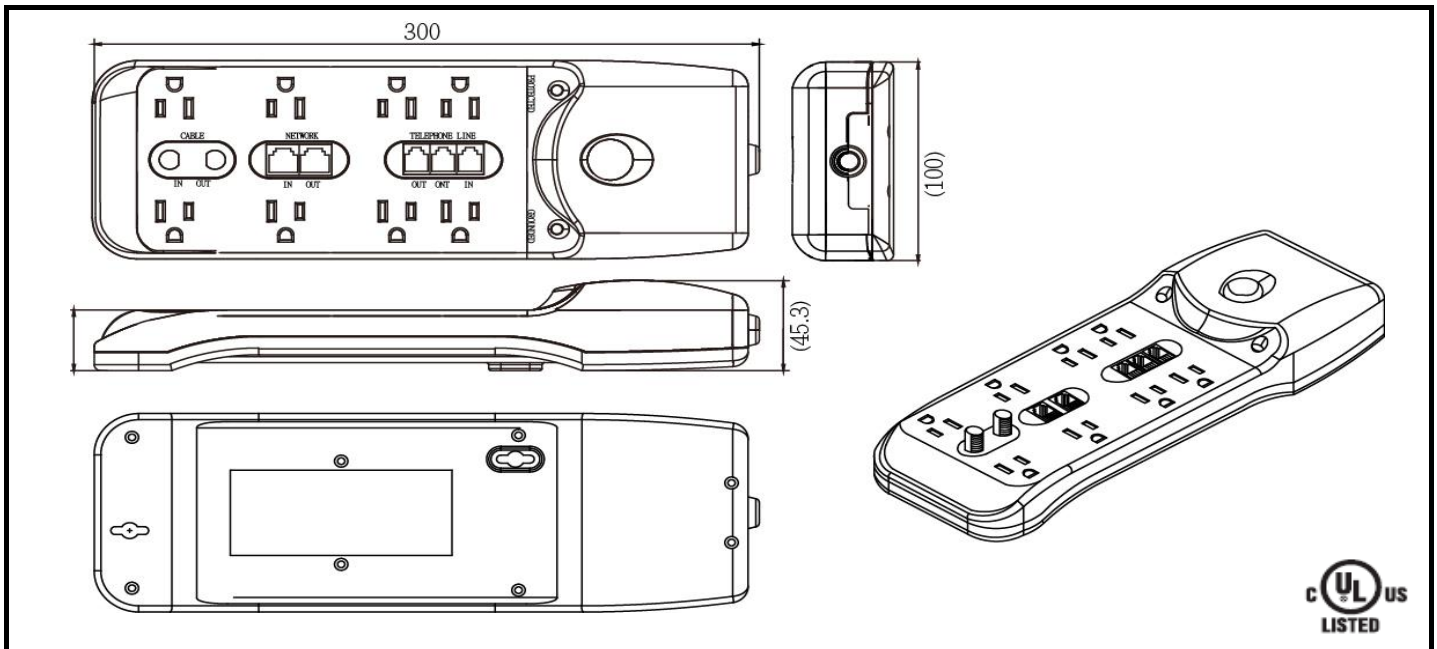
8 Outlet Surge Protector (4 Transformers outlets)

Part No.	BB-44R-3B	BB-44R-6B	BB-44R-9B
Electrical rating	125V/15A /1875W	125V/15A /1875W	125V/15A /1875W
Housing Material	Plastic	Plastic	Plastic
AC Outlets	8	8	8
AC Outlet Type	Nema 5-15R	Nema 5-15R	Nema 5-15R
Plug type	Nema 5-15P	Nema 5-15P	Nema 5-15P
AC Cord Specs	SJT ; 14AWG	SJT ; 14AWG	SJT ; 14AWG
Power Cord Length	Min.1.5ft~ Max.25ft	Min.1.5ft~ Max.25ft	Min.1.5ft~ Max.25ft
Overload Protection	15 Amps	15 Amps	15 Amps
Circuit Breaker Switch	Push Button	Push Button	Push Button
Power Shutdown Protection	Yes	Yes	Yes
Max. Joules Rating	1050 Joules	2100 Joules	3150 Joules
Max. Spike Current	19500 Amps	39000 Amps	58500Amps
Max, Spike Voltage	6000V	6000V	6000V
Clamping Voltage (VPR)	400V (L-N,N-G) 500V(L-G)	400V (L-N,N-G) 500V(L-G)	400V (L-N,N-G) 500V(L-G)
Response Time	< 1 nanosecond	< 1 nanosecond	< 1 nanosecond
Surge Protection Indicator	1*Green LED	1*Green LED	1*Green LED
Wire Fault Indicator	1*Red LED	1*Red LED	1*Red LED
EMI/ RFI Noise Filter	Attenuation Up to 20 dB Freq. 150Khz to 30Mhz	Attenuation Up to 20 dB Freq. 150Khz to 30Mhz	Attenuation Up to 20 dB Freq. 150Khz to 30Mhz
USB Charger	N/A	N/A	N/A
Phone/Network Protector	RJ11 : 1 in-2 out	RJ11 : 1 in-2 out	RJ11 : 1 in-2 out
Coax/Satellite Protection	N/A	N/A	N/A
Product Dimension	L300 x W100 x 45.3Hm	L300 x W100 x 45.3Hm	L300 x W100 x 45.3Hm



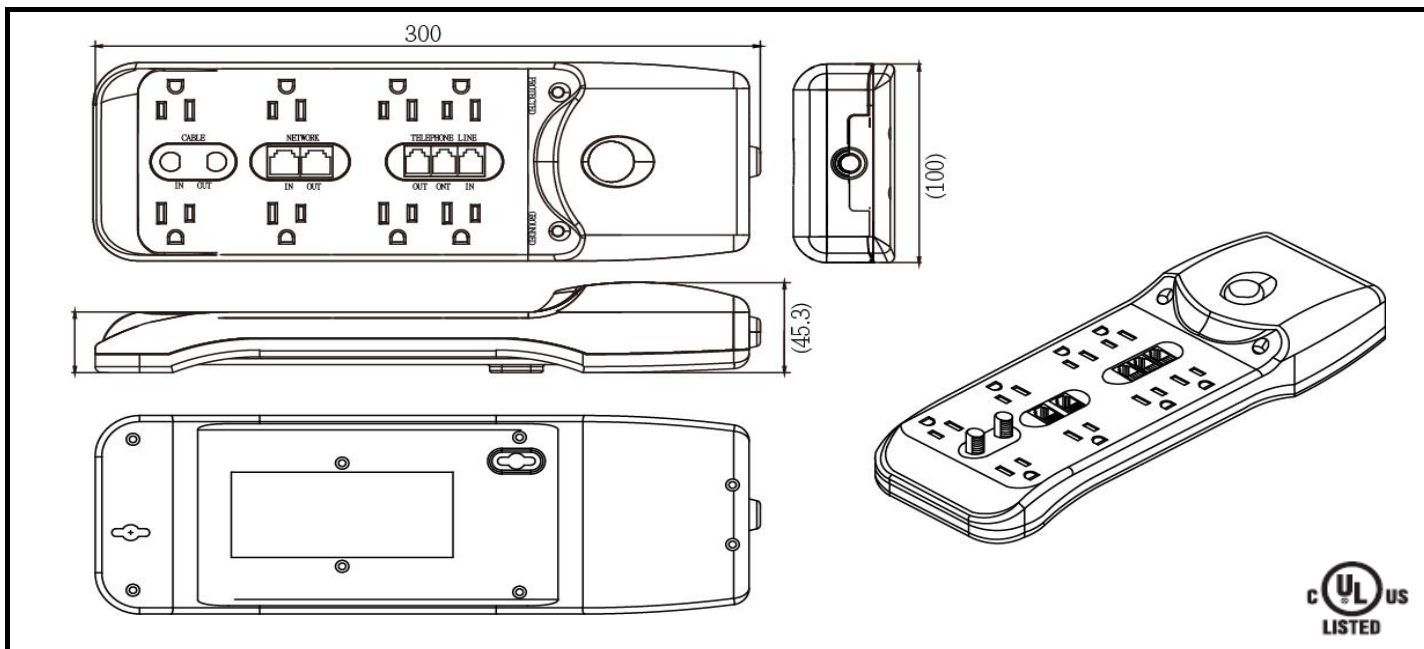
8 Outlet Surge Protector (4 Transformers outlets)

Part No.	BB-44A-3B	BB-44A-6B	BB-44A-9B
Electrical rating	125V/15A /1875W	125V/15A /1875W	125V/15A /1875W
Housing Material	Plastic	Plastic	Plastic
AC Outlets	8	8	8
AC Outlet Type	Nema 5-15R	Nema 5-15R	Nema 5-15R
Plug type	Nema 5-15P	Nema 5-15P	Nema 5-15P
AC Cord Specs	SJT; 14AWG	SJT; 14AWG	SJT; 14AWG
Power Cord Length	Min.1.5ft~ Max.25ft	Min.1.5ft~ Max.25ft	Min.1.5ft~ Max.25ft
Overload Protection	15 Amps	15 Amps	15 Amps
Circuit Breaker Switch	Push Button	Push Button	Push Button
Power Shutdown Protection	Yes	Yes	Yes
Max. Joules Rating	1050 Joules	2100 Joules	3150 Joules
Max. Spike Current	19500 Amps	39000 Amps	58500Amps
Max, Spike Voltage	6000V	6000V	6000V
Clamping Voltage (VPR)	400V (L-N,N-G) 500V(L-G)	400V (L-N,N-G) 500V(L-G)	400V (L-N,N-G) 500V(L-G)
Response Time	< 1 nanosecond	< 1 nanosecond	< 1 nanosecond
Surge Protection Indicator	1*Green LED	1*Green LED	1*Green LED
Wire Fault Indicator	1*Red LED	1*Red LED	1*Red LED
EMI/ RFI Noise Filter	Attenuation Up to 20 dB Freq. 150Khz to 30Mhz	Attenuation Up to 20 dB Freq. 150Khz to 30Mhz	Attenuation Up to 20 dB Freq. 150Khz to 30Mhz
USB Charger	N/A	N/A	N/A
Phone/Network Protector	N/A	N/A	N/A
Coax Protection	F Connector	F Connector	F Connector
Product Dimension	L300 x W100 x 45.3Hmm	L300 x W100 x 45.3Hmm	L300 x W100 x 45.3Hmm



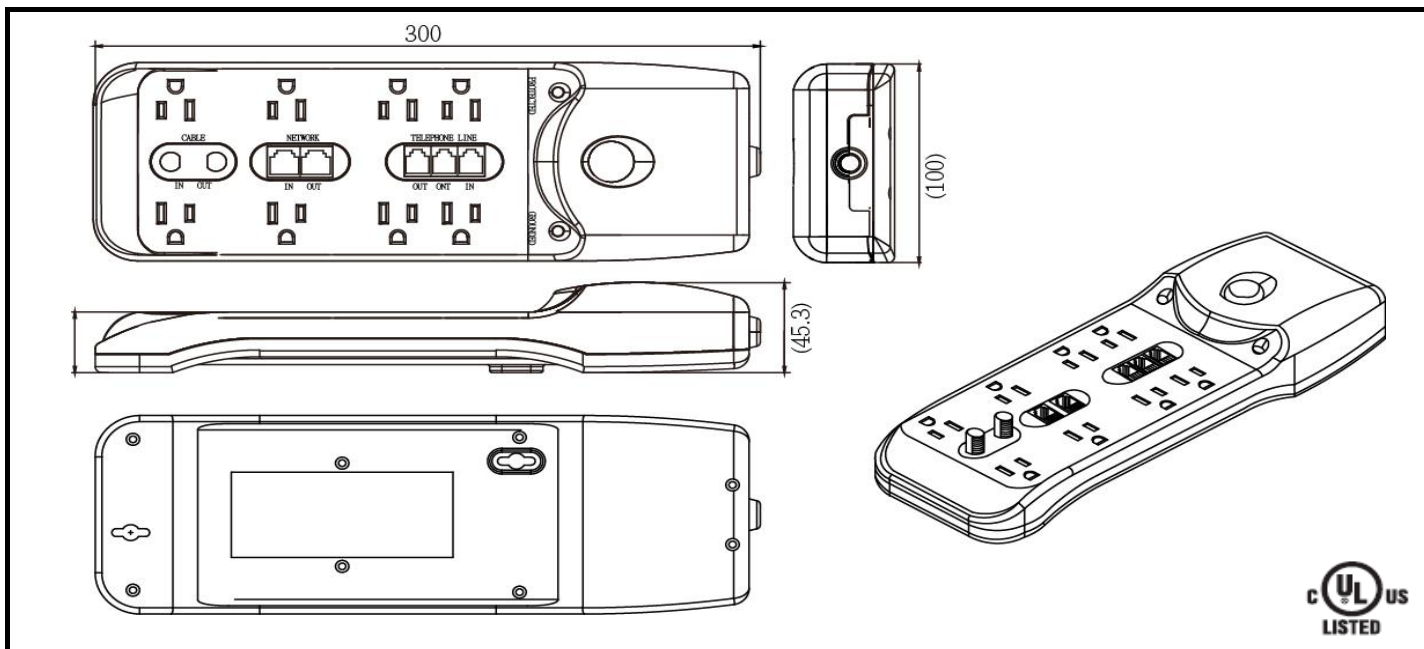
8 Outlet Surge Protector (4 Transformers outlets)

Part No.	BB-44RC-3B	BB-44RC-6B	BB-44RC-9B
Electrical rating	125V/15A /1875W	125V/15A /1875W	125V/15A /1875W
Housing Material	Plastic	Plastic	Plastic
AC Outlets	8	8	8
AC Outlet Type	Nema 5-15R	Nema 5-15R	Nema 5-15R
Plug type	Nema 5-15P	Nema 5-15P	Nema 5-15P
AC Cord Specs	SJT ; 14AWG	SJT ; 14AWG	SJT ; 14AWG
Power Cord Length	Min.1.5ft~ Max.25ft	Min.1.5ft~ Max.25ft	Min.1.5ft~ Max.25ft
Overload Protection	15 Amps	15 Amps	15 Amps
Circuit Breaker Switch	Push Button	Push Button	Push Button
Power Shutdown Protection	Yes	Yes	Yes
Max. Joules Rating	1050 Joules	2100 Joules	3150 Joules
Max. Spike Current	19500 Amps	39000 Amps	58500Amps
Max, Spike Voltage	6000V	6000V	6000V
Clamping Voltage (VPR)	400V (L-N,N-G) 500V(L-G)	400V (L-N,N-G) 500V(L-G)	400V (L-N,N-G) 500V(L-G)
Response Time	< 1 nanosecond	< 1 nanosecond	< 1 nanosecond
Surge Protection Indicator	1*Green LED	1*Green LED	1*Green LED
Wire Fault Indicator	1*Red LED	1*Red LED	1*Red LED
EMI/ RFI Noise Filter	Attenuation Up to 20 dB Freq. 150Khz to 30Mhz	Attenuation Up to 20 dB Freq. 150Khz to 30Mhz	Attenuation Up to 20 dB Freq. 150Khz to 30Mhz
USB Charger	N/A	N/A	N/A
Phone/Network Protector	RJ11 : 1 in-2 out	RJ11 : 1 in-2 out	RJ11 : 1 in-2 out
Coax/Satellite Protection	2 sets x F Connector	2 sets x F Connector	2 sets x F Connector
Product Dimension	L300 x W100 x 45.3Hmm	L300 x W100 x 45.3Hmm	L300 x W100 x 45.3Hmm



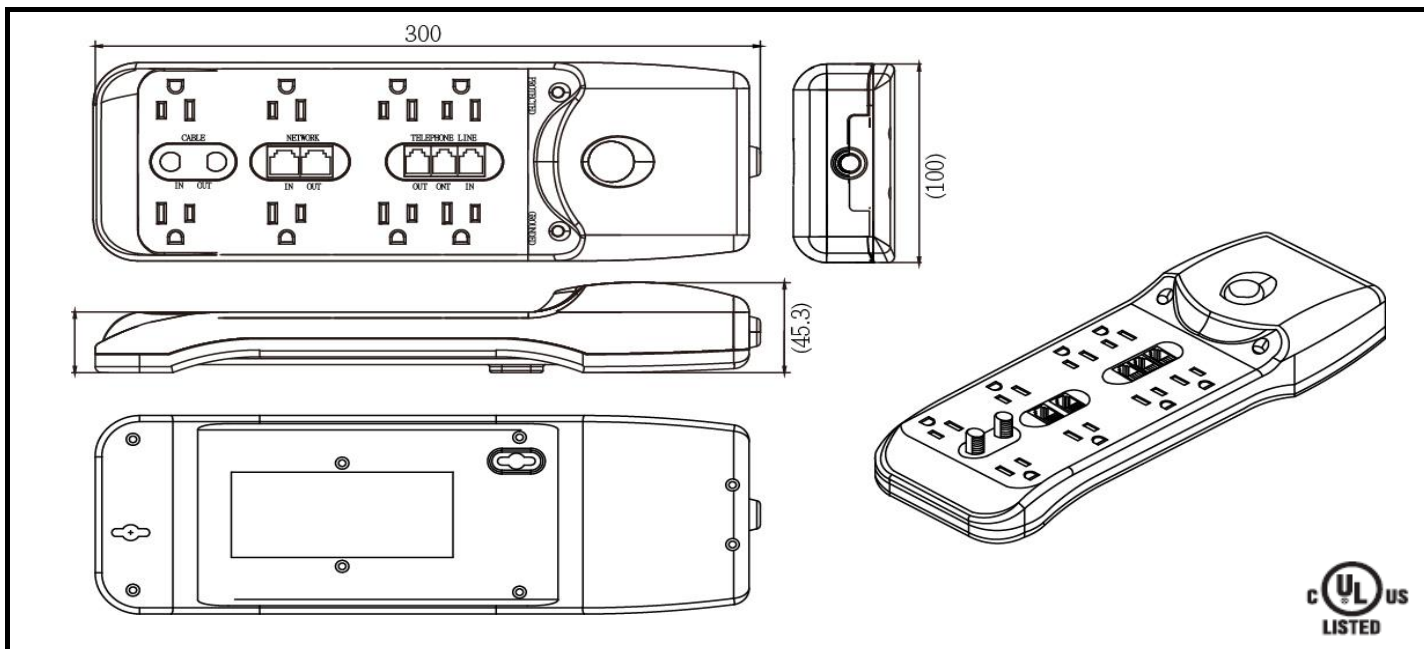
8 Outlet Surge Protector (4 Transformers outlets)

Part No.	BB-44JA-3B	BB-44JA-6B	BB-44JA-9B
Electrical rating	125V/15A /1875W	125V/15A /1875W	125V/15A /1875W
Housing Material	Plastic	Plastic	Plastic
AC Outlets	8	8	8
AC Outlet Type	Nema 5-15R	Nema 5-15R	Nema 5-15R
Plug type	Nema 5-15P	Nema 5-15P	Nema 5-15P
AC Cord Specs	SJT ; 14AWG	SJT ; 14AWG	SJT ; 14AWG
Power Cord Length	Min.1.5ft~ Max.25ft	Min.1.5ft~ Max.25ft	Min.1.5ft~ Max.25ft
Overload Protection	15 Amps	15 Amps	15 Amps
Circuit Breaker Switch	Push Button	Push Button	Push Button
Power Shutdown Protection	Yes	Yes	Yes
Max. Joules Rating	1050 Joules	2100 Joules	3150 Joules
Max. Spike Current	19500 Amps	39000 Amps	58500Amps
Max, Spike Voltage	6000V	6000V	6000V
Clamping Voltage (VPR)	400V (L-N,N-G) 500V(L-G)	400V (L-N,N-G) 500V(L-G)	400V (L-N,N-G) 500V(L-G)
Response Time	< 1 nanosecond	< 1 nanosecond	< 1 nanosecond
Surge Protection Indicator	1*Green LED	1*Green LED	1*Green LED
Wire Fault Indicator	1*Red LED	1*Red LED	1*Red LED
EMI/ RFI Noise Filter	Attenuation Up to 20 dB Freq. 150Khz to 30Mhz	Attenuation Up to 20 dB Freq. 150Khz to 30Mhz	Attenuation Up to 20 dB Freq. 150Khz to 30Mhz
USB Charger	N/A	N/A	N/A
Phone/Network Protector	RJ45 : 1 in-1 out	RJ45 : 1 in-1 out	RJ45 : 1 in-1 out
Coax Protection	F Connector	F Connector	F Connector
Product Dimension	L300 x W100 x 45.3Hm	L300 x W100 x 45.3Hm	L300 x W100 x 45.3Hm



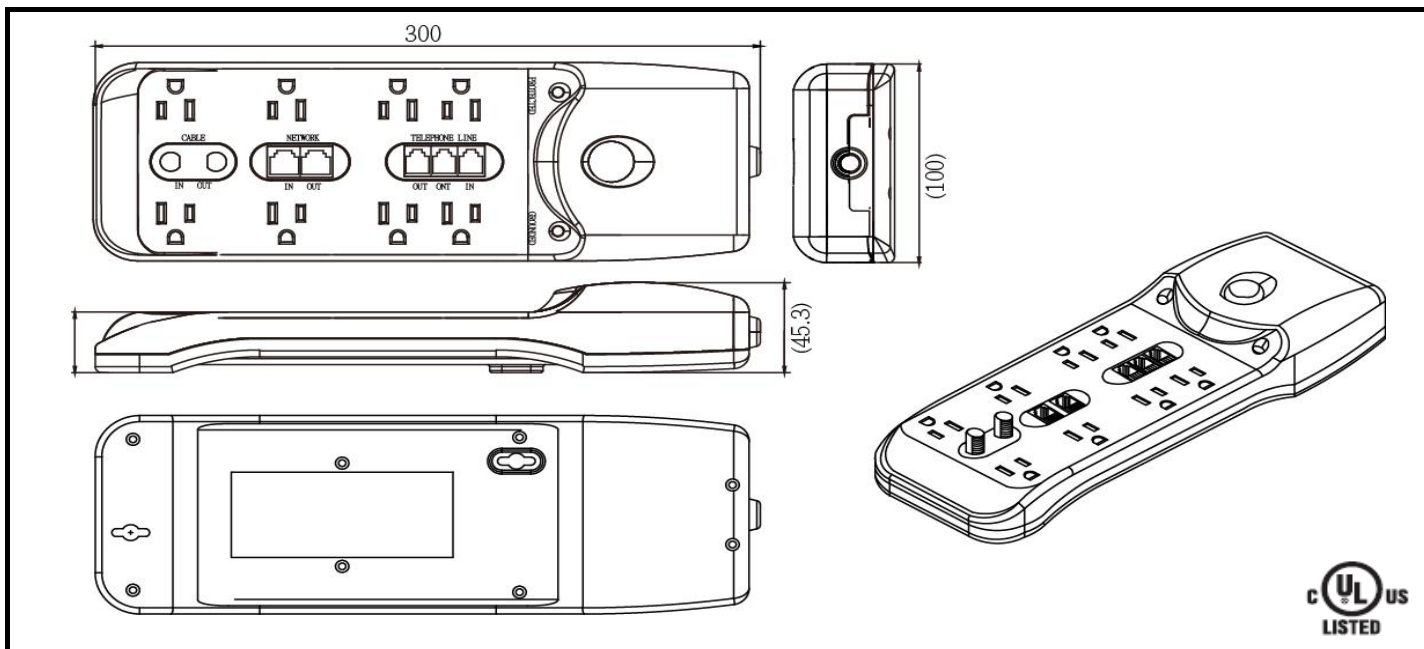
8 Outlet Surge Protector (4 Transformers outlets)

Part No.	BB-44C-3B	BB-44C-6B	BB-44C-9B
Electrical rating	125V/15A /1875W	125V/15A /1875W	125V/15A /1875W
Housing Material	Plastic	Plastic	Plastic
AC Outlets	8	8	8
AC Outlet Type	Nema 5-15R	Nema 5-15R	Nema 5-15R
Plug type	Nema 5-15P	Nema 5-15P	Nema 5-15P
AC Cord Specs	SJT ; 14AWG	SJT ; 14AWG	SJT ; 14AWG
Power Cord Length	Min.1.5ft~ Max.25ft	Min.1.5ft~ Max.25ft	Min.1.5ft~ Max.25ft
Overload Protection	15 Amps	15 Amps	15 Amps
Circuit Breaker Switch	Push Button	Push Button	Push Button
Power Shutdown Protection	Yes	Yes	Yes
Max. Joules Rating	1050 Joules	2100 Joules	3150 Joules
Max. Spike Current	19500 Amps	39000 Amps	58500Amps
Max, Spike Voltage	6000V	6000V	6000V
Clamping Voltage (VPR)	400V (L-N,N-G) 500V(L-G)	400V (L-N,N-G) 500V(L-G)	400V (L-N,N-G) 500V(L-G)
Response Time	< 1 nanosecond	< 1 nanosecond	< 1 nanosecond
Surge Protection Indicator	1*Green LED	1*Green LED	1*Green LED
Wire Fault Indicator	1*Red LED	1*Red LED	1*Red LED
EMI/ RFI Noise Filter	Attenuation Up to 20 dB Freq. 150Khz to 30Mhz	Attenuation Up to 20 dB Freq. 150Khz to 30Mhz	Attenuation Up to 20 dB Freq. 150Khz to 30Mhz
USB Charger	N/A	N/A	N/A
Phone/Network Protector	N/A	N/A	N/A
Coax/Satellite Protection	2 sets x F Connector	2 sets x F Connector	2 sets x F Connector
Product Dimension	L300 x W100 x 45.3Hm	L300 x W100 x 45.3Hm	L300 x W100 x 45.3Hm



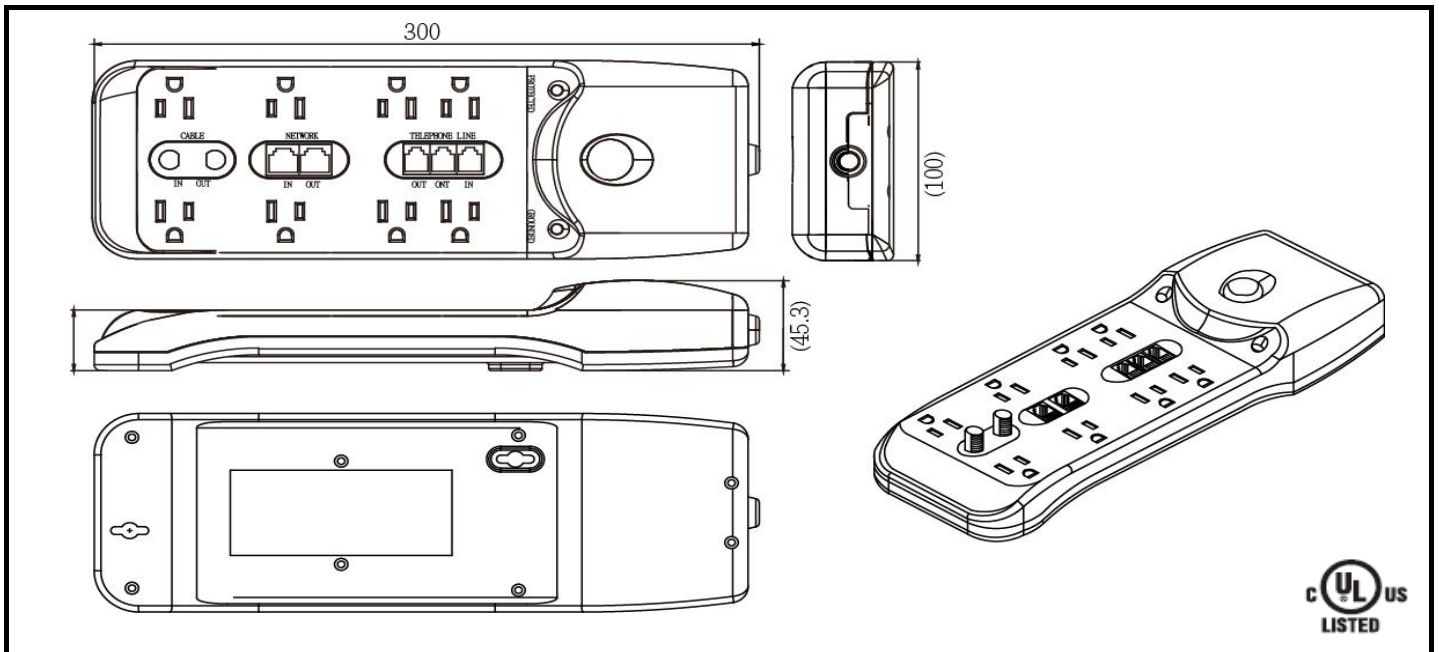
8 Outlet Surge Protector (4 Transformers outlets)

Part No.	BB-44RA-3B	BB-44RA-6B	BB-44RA-9B
Electrical rating	125V/15A /1875W	125V/15A /1875W	125V/15A /1875W
Housing Material	Plastic	Plastic	Plastic
AC Outlets	8	8	8
AC Outlet Type	Nema 5-15R	Nema 5-15R	Nema 5-15R
Plug type	Nema 5-15P	Nema 5-15P	Nema 5-15P
AC Cord Specs	SJT; 14AWG	SJT; 14AWG	SJT; 14AWG
Power Cord Length	Min.1.5ft~ Max.25ft	Min.1.5ft~ Max.25ft	Min.1.5ft~ Max.25ft
Overload Protection	15 Amps	15 Amps	15 Amps
Circuit Breaker Switch	Push Button	Push Button	Push Button
Power Shutdown Protection	Yes	Yes	Yes
Max. Joules Rating	1050 Joules	2100 Joules	3150 Joules
Max. Spike Current	19500 Amps	39000 Amps	58500Amps
Max, Spike Voltage	6000V	6000V	6000V
Clamping Voltage (VPR)	400V (L-N,N-G) 500V(L-G)	400V (L-N,N-G) 500V(L-G)	400V (L-N,N-G) 500V(L-G)
Response Time	< 1 nanosecond	< 1 nanosecond	< 1 nanosecond
Surge Protection Indicator	1*Green LED	1*Green LED	1*Green LED
Wire Fault Indicator	1*Red LED	1*Red LED	1*Red LED
EMI/ RFI Noise Filter	Attenuation Up to 20 dB Freq. 150Khz to 30Mhz	Attenuation Up to 20 dB Freq. 150Khz to 30Mhz	Attenuation Up to 20 dB Freq. 150Khz to 30Mhz
USB Charger	N/A	N/A	N/A
Phone/Network Protector	RJ11 : 1 in-2 out	RJ11 : 1 in-2 out	RJ11 : 1 in-2 out
Coax Protection	F Connector	F Connector	F Connector
Product Dimension	L300 x W100 x 45.3Hmm	L300 x W100 x 45.3Hmm	L300 x W100 x 45.3Hmm



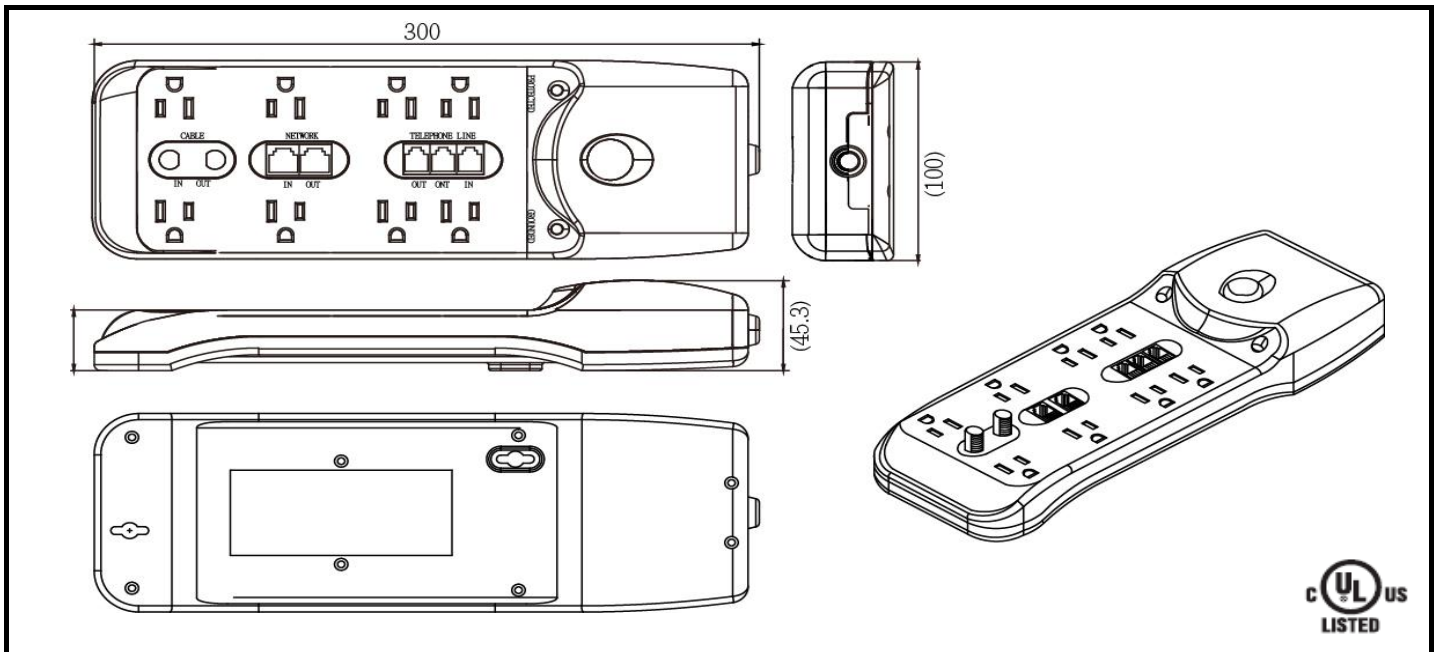
8 Outlet Surge Protector (4 Transformers outlets)

Part No.	BB-44JC-3B	BB-44JC-6B	BB-44JC-9B
Electrical rating	125V/15A /1875W	125V/15A /1875W	125V/15A /1875W
Housing Material	Plastic	Plastic	Plastic
AC Outlets	8	8	8
AC Outlet Type	Nema 5-15R	Nema 5-15R	Nema 5-15R
Plug type	Nema 5-15P	Nema 5-15P	Nema 5-15P
AC Cord Specs	SJT ; 14AWG	SJT ; 14AWG	SJT ; 14AWG
Power Cord Length	Min.1.5ft~ Max.25ft	Min.1.5ft~ Max.25ft	Min.1.5ft~ Max.25ft
Overload Protection	15 Amps	15 Amps	15 Amps
Circuit Breaker Switch	Push Button	Push Button	Push Button
Power Shutdown Protection	Yes	Yes	Yes
Max. Joules Rating	1050 Joules	2100 Joules	3150 Joules
Max. Spike Current	19500 Amps	39000 Amps	58500Amps
Max, Spike Voltage	6000V	6000V	6000V
Clamping Voltage (VPR)	400V (L-N,N-G) 500V(L-G)	400V (L-N,N-G) 500V(L-G)	400V (L-N,N-G) 500V(L-G)
Response Time	< 1 nanosecond	< 1 nanosecond	< 1 nanosecond
Surge Protection Indicator	1*Green LED	1*Green LED	1*Green LED
Wire Fault Indicator	1*Red LED	1*Red LED	1*Red LED
EMI/ RFI Noise Filter	Attenuation Up to 20 dB Freq. 150Khz to 30Mhz	Attenuation Up to 20 dB Freq. 150Khz to 30Mhz	Attenuation Up to 20 dB Freq. 150Khz to 30Mhz
USB Charger	N/A	N/A	N/A
Phone/Network Protector	RJ45 : 1 in-1 out	RJ45 : 1 in-1 out	RJ45 : 1 in-1 out
Coax/Satellite Protection	2 sets x F Connector	2 sets x F Connector	2 sets x F Connector
Product Dimension	L300 x W100 x 45.3Hm	L300 x W100 x 45.3Hm	L300 x W100 x 45.3Hm



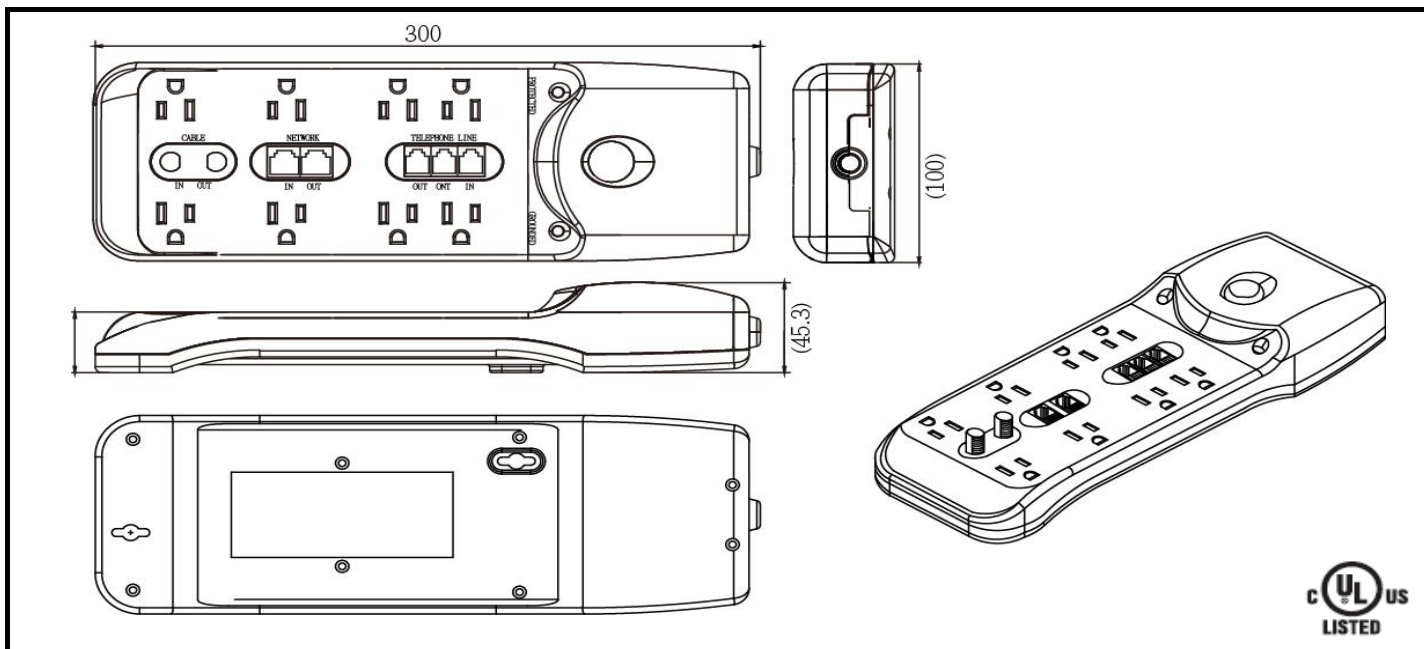
8 Outlet Surge Protector (4 Transformers outlets)

Part No.	BB-44JDS-3B	BB-44JDS-6B	BB-44JDS-9B
Electrical rating	125V/15A /1875W	125V/15A /1875W	125V/15A /1875W
Housing Material	Plastic	Plastic	Plastic
AC Outlets	8	8	8
AC Outlet Type	Nema 5-15R	Nema 5-15R	Nema 5-15R
Plug type	Nema 5-15P	Nema 5-15P	Nema 5-15P
AC Cord Specs	SJT ; 14AWG	SJT ; 14AWG	SJT ; 14AWG
Power Cord Length	Min.1.5ft~ Max.25ft	Min.1.5ft~ Max.25ft	Min.1.5ft~ Max.25ft
Overload Protection	15 Amps	15 Amps	15 Amps
Circuit Breaker Switch	Push Button	Push Button	Push Button
Power Shutdown Protection	Yes	Yes	Yes
Max. Joules Rating	1050 Joules	2100 Joules	3150 Joules
Max. Spike Current	19500 Amps	39000 Amps	58500Amps
Max, Spike Voltage	6000V	6000V	6000V
Clamping Voltage (VPR)	400V (L-N) 500V(L-G, N-G)	400V (L-N) 500V(L-G, N-G)	400V (L-N) 500V(L-G, N-G)
Response Time	< 1 nanosecond	< 1 nanosecond	< 1 nanosecond
Surge Protection Indicator	1*Green LED	1*Green LED	1*Green LED
Wire Fault Indicator	1*Red LED	1*Red LED	1*Red LED
EMI/ RFI Noise Filter	Attenuation Up to 20 dB Freq. 150Khz to 30Mhz	Attenuation Up to 20 dB Freq. 150Khz to 30Mhz	Attenuation Up to 20 dB Freq. 150Khz to 30Mhz
USB Charger	N/A	N/A	N/A
Phone/Network Protector	RJ45: 1 in-1out	RJ45: 1 in-1out	RJ45: 1 in-1out
Satellite Protection	F Connector	F Connector	F Connector
Product Dimension	L300 x W100 x 45.3Hmm	L300 x W100 x 45.3Hmm	L300 x W100 x 45.3Hmm



8 Outlet Surge Protector (4 Transformers outlets)

Part No.	BB-44CM-3B	BB-44CM-6B	BB-44CM-9B
Electrical rating	125V/15A /1875W	125V/15A /1875W	125V/15A /1875W
Housing Material	Plastic	Plastic	Plastic
AC Outlets	8	8	8
AC Outlet Type	Nema 5-15R	Nema 5-15R	Nema 5-15R
Plug type	Nema 5-15P	Nema 5-15P	Nema 5-15P
AC Cord Specs	SJT ; 14AWG	SJT ; 14AWG	SJT ; 14AWG
Power Cord Length	Min.1.5ft~ Max.25ft	Min.1.5ft~ Max.25ft	Min.1.5ft~ Max.25ft
Overload Protection	15 Amps	15 Amps	15 Amps
Circuit Breaker Switch	Push Button	Push Button	Push Button
Power Shutdown Protection	Yes	Yes	Yes
Max. Joules Rating	1050 Joules	2100 Joules	3150 Joules
Max. Spike Current	19500 Amps	39000 Amps	58500Amps
Max, Spike Voltage	6000V	6000V	6000V
Clamping Voltage (VPR)	400V (L-N,N-G) 500V(L-G)	400V (L-N) 500V(L-G, N-G)	400V (L-N) 500V(L-G, N-G)
Response Time	< 1 nanosecond	< 1 nanosecond	< 1 nanosecond
Surge Protection Indicator	1*Green LED	1*Green LED	1*Green LED
Wire Fault Indicator	1*Red LED	1*Red LED	1*Red LED
EMI/ RFI Noise Filter	Attenuation Up to 20 dB Freq. 150Khz to 30Mhz	Attenuation Up to 20 dB Freq. 150Khz to 30Mhz	Attenuation Up to 20 dB Freq. 150Khz to 30Mhz
USB Charger	N/A	N/A	N/A
Phone/Network Protector	combo RJ11/RJ45:1 in-1 out	combo RJ11/RJ45 : 1 in-1 out	combo RJ11/RJ45 : 1 in-1 out
Coax/Satellite Protection	2 sets x F Connector	2 sets x F Connector	2 sets x F Connector
Product Dimension	L300 x W100 x 45.3Hmm	L300 x W100 x 45.3Hmm	L300 x W100 x 45.3Hmm



8 Outlet Surge Protector (4 Transformers outlets)

Part No.	BB-44RJA-3B	BB-44RJA-6B	BB-44RJA-9B
Electrical rating	125V/15A /1875W	125V/15A /1875W	125V/15A /1875W
Housing Material	Plastic	Plastic	Plastic
AC Outlets	8	8	8
AC Outlet Type	Nema 5-15R	Nema 5-15R	Nema 5-15R
Plug type	Nema 5-15P	Nema 5-15P	Nema 5-15P
AC Cord Specs	SJT ; 14AWG	SJT ; 14AWG	SJT ; 14AWG
Power Cord Length	Min.1.5ft~ Max.25ft	Min.1.5ft~ Max.25ft	Min.1.5ft~ Max.25ft
Overload Protection	15 Amps	15 Amps	15 Amps
Circuit Breaker Switch	Push Button	Push Button	Push Button
Power Shutdown Protection	Yes	Yes	Yes
Max. Joules Rating	1050 Joules	2100 Joules	3150 Joules
Max. Spike Current	19500 Amps	39000 Amps	58500Amps
Max, Spike Voltage	6000V	6000V	6000V
Clamping Voltage (VPR)	400V (L-N,N-G) 500V(L-G)	400V (L-N,N-G) 500V(L-G)	400V (L-N,N-G) 500V(L-G)
Response Time	< 1 nanosecond	< 1 nanosecond	< 1 nanosecond
Surge Protection Indicator	1*Green LED	1*Green LED	1*Green LED
Wire Fault Indicator	1*Red LED	1*Red LED	1*Red LED
EMI/ RFI Noise Filter	Attenuation Up to 20 dB Freq. 150Khz to 30Mhz	Attenuation Up to 20 dB Freq. 150Khz to 30Mhz	Attenuation Up to 20 dB Freq. 150Khz to 30Mhz
USB Charger	N/A	N/A	N/A
Phone/Network Protector	RJ11 : 1 in-2 out RJ45: 1 in-1out	RJ11 : 1 in-2 out RJ45: 1 in-1out	RJ11 : 1 in-2 out RJ45: 1 in-1out
Coax/Satellite Protection	F Connector	F Connector	F Connector
Product Dimension	L300 x W100 x 45.3Hmm	L300 x W100 x 45.3Hmm	L300 x W100 x 45.3Hmm