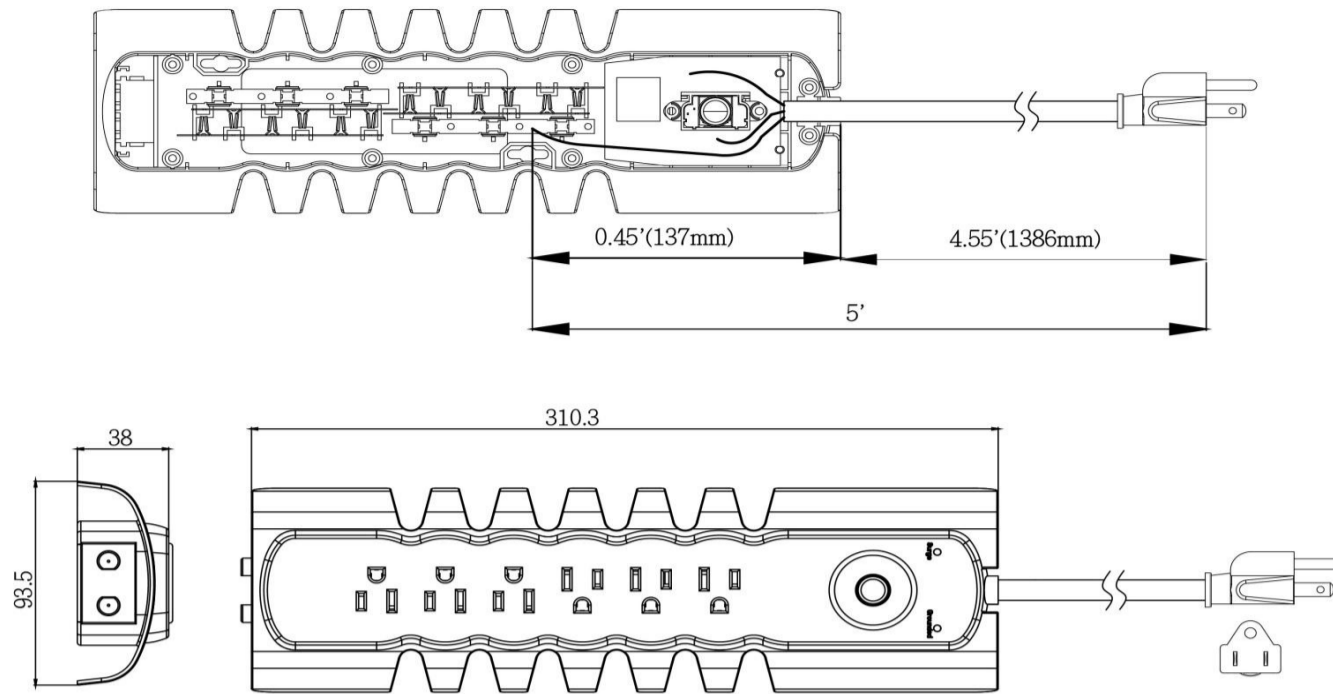


### 6 Outlet Surge Protector

Part No.	BB-55	BB-55-3B	BB-55-6B	BB-55R-3B	BB-55R-6B
Electrical rating	125V/15A /1875W	125V/15A /1875W	125V/15A /1875W	125V/15A /1875W	125V/15A /1875W
Housing Material	Plastic	Plastic	Plastic	Plastic	Plastic
AC Outlets	6	6	6	6	6
AC Outlet Type	Nema 5-15R	Nema 5-15R	Nema 5-15R	Nema 5-15R	Nema 5-15R
Plug type	Nema 5-15P	Nema 5-15P	Nema 5-15P	Nema 5-15P	Nema 5-15P
AC Cord Specs	SJT ; 14AWG	SJT ; 14AWG	SJT ; 14AWG	SJT ; 14AWG	SJT ; 14AWG
Power Cord Length	Min.1.5ft~ Max.25ft	Min.1.5ft~ Max.25ft	Min.1.5ft~ Max.25ft	Min.1.5ft~ Max.25ft	Min.1.5ft~ Max.25ft
Overload Protection	15 Amps	15 Amps	15 Amps	15 Amps	15 Amps
Circuit Breaker Switch	Push-button switch	Push-button switch	Push-button switch	Push-button switch	Push-button switch
Power Shutdown Protection	N/A	Yes	Yes	Yes	Yes
Max. Joules Rating	N/A	1050 Joules	2100 Joules	1050 Joules	2100 Joules
Max. Spike Current	N/A	19500A	39000A	19500A	39000A
Max, Spike Voltage	N/A	6000V	6000V	6000V	6000V
Clamping Voltage (VPR)	N/A	400V (L-N,L-G,N-G)	400V (L-N,L-G,N-G)	400V (L-N,L-G,N-G)	400V (L-N,L-G,N-G)
Response Time	N/A	< 1 nanosecond	< 1 nanosecond	< 1 nanosecond	< 1 nanosecond
Surge Protection Indicator	N/A	1*Red LED	1*Red LED	1*Red LED	1*Red LED
Grounded Indicator	N/A	1*Green LED	1*Green LED	1*Green LED	1*Green LED
EMI/ RFI Noise Filter	N/A	Attenuation Up to 20 dB Freq. 150Khz to 30Mhz	Attenuation Up to 20 dB Freq. 150Khz to 30Mhz	Attenuation Up to 20 dB Freq. 150Khz to 30Mhz	Attenuation Up to 20 dB Freq. 150Khz to 30Mhz
USB Charger	N/A	N/A	N/A	N/A	N/A
Phone/Network Protector	N/A	N/A	N/A	RJ11 : 1 in-2 out	RJ11 : 1 in-2 out
Coax Protection	N/A	N/A	N/A	N/A	N/A
Product Dimension	L310.3xW93.5xH38mm	L310.3xW93.5xH38mm	L310.3xW93.5xH38mm	L310.3xW93.5xH38mm	L310.3xW93.5xH38mm



### 6 Outlet Surge Protector

Part No.	BB-55J-3B	BB-55J-6B	BB-55A-3B	BB-55A-6B	
Electrical rating	125V/15A /1875W	125V/15A /1875W	125V/15A /1875W	125V/15A /1875W	
Housing Material	Plastic	Plastic	Plastic	Plastic	
AC Outlets	6	6	6	6	
AC Outlet Type	Nema 5-15R	Nema 5-15R	Nema 5-15R	Nema 5-15R	
Plug type	Nema 5-15P	Nema 5-15P	Nema 5-15P	Nema 5-15P	
AC Cord Specs	SJT ; 14AWG	SJT ; 14AWG	SJT ; 14AWG	SJT ; 14AWG	
Power Cord Length	Min.1.5ft~ Max.25ft	Min.1.5ft~ Max.25ft	Min.1.5ft~ Max.25ft	Min.1.5ft~ Max.25ft	
Overload Protection	15 Amps	15 Amps	15 Amps	15 Amps	
Circuit Breaker Switch	Lighted SW	Lighted SW	Lighted SW	Lighted SW	
Power Shutdown Protection	Yes	Yes	Yes	Yes	
Max. Joules Rating	1050 Joules	2100 Joules	1050 Joules	2100 Joules	
Max. Spike Current	19500A	39000A	19500A	39000A	
Max, Spike Voltage	6000V	6000V	6000V	6000V	
Clamping Voltage (VPR)	400V (L-N,L-G,N-G)	400V (L-N,L-G,N-G)	400V (L-N,L-G,N-G)	400V (L-N,L-G,N-G)	
Response Time	< 1 nanosecond	< 1 nanosecond	< 1 nanosecond	< 1 nanosecond	
Surge Protection Indicator	1*Red LED	1*Red LED	1*Red LED	1*Red LED	
Grounded Indicator	1*Green LED	1*Green LED	1*Green LED	1*Green LED	
EMI/ RFI Noise Filter	Attenuation Up to 20 dB Freq. 150Khz to 30Mhz	Attenuation Up to 20 dB Freq. 150Khz to 30Mhz	Attenuation Up to 20 dB Freq. 150Khz to 30Mhz	Attenuation Up to 20 dB Freq. 150Khz to 30Mhz	
USB Charger	N/A	N/A	N/A	N/A	
Phone/Network Protector	RJ45 : 1 in-1 out	RJ45 : 1 in-1 out	N/A	N/A	
Coax Protection	N/A	N/A	F connector	F connector	
Product Dimension	L310.3xW93.5xH38mm	L310.3xW93.5xH38mm	L310.3xW93.5xH38mm	L310.3xW93.5xH38mm	