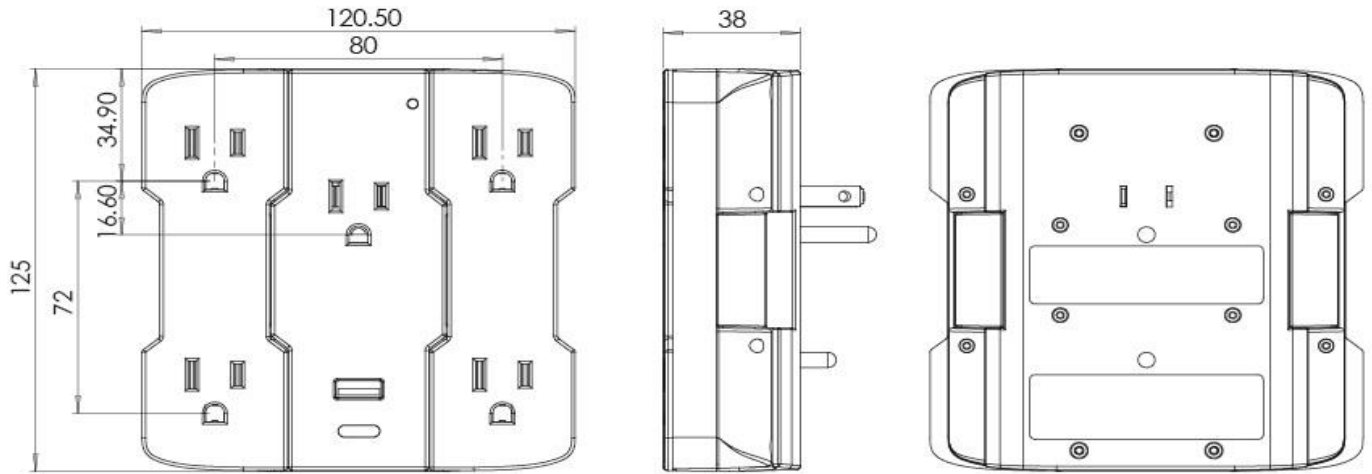


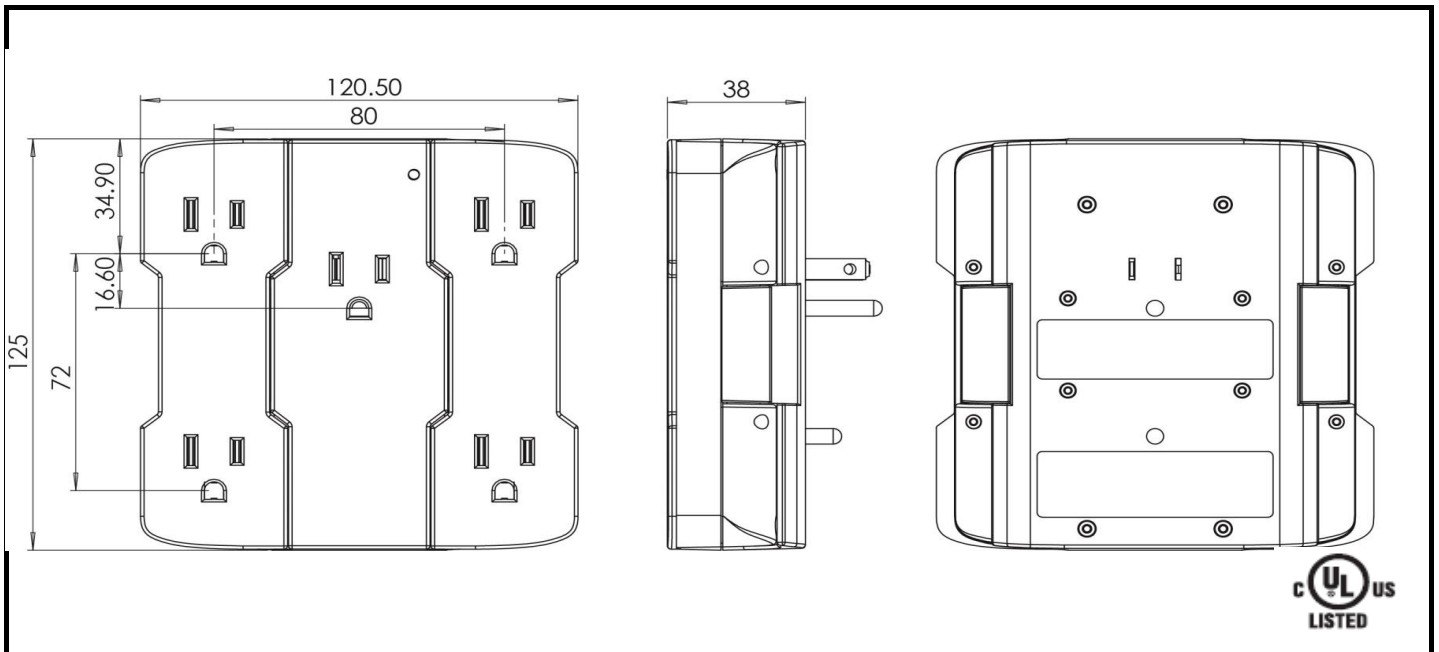
## 5 Outlets Swivel Surge Tap W/2 USB Charger

Part No.	FA-360U	FA-360U-1B	FA-360U-3B
Electrical rating	125V/15A /1875W	125V/15A /1875W	125V/15A /1875W
Housing Material	Plastic	Plastic	Plastic
AC Outlets	5	5	5
AC Outlet Type	Nema 5-15R	Nema 5-15R	Nema 5-15R
Plug type	Nema 5-15P	Nema 5-15P	Nema 5-15P
Power Shutdown Protection	N/A	N/A	Yes
Max. Joules Rating	N/A	350 Joules	1050 Joules
Max. Spike Current	N/A	6500 Amps	19500 Amps
Max, Spike Voltage	N/A	6000V	6000V
Clamping Voltage (VPR)	N/A	500V (L-N)	500V ( L-N, L-G, N-G)
Response Time	N/A	< 1 nanosecond	< 1 nanosecond
Surge Protection Indicator	N/A	1*Green LED	1*Green LED
EMI/ RFI Noise Filter	N/A	N/A	Attenuation Up to 20 dB Freq. 150Khz to 30Mhz
USB Charger	2 x USB - 2.4A shared	2 x USB - 2.4A shared	2 x USB - 2.4A shared
Product Dimension	L120.5 x W125 x H58.2mm	L120.5 x W125 x H58.2mm	L120.5 x W125 x H58.2mm



## 5 Outlets Swivel Surge Tap W/2 USB Charger

Part No.	FA-360UC	FA-360UC-1B	FA-360UC-3B
Electrical rating	125V/15A /1875W	125V/15A /1875W	125V/15A /1875W
Housing Material	Plastic	Plastic	Plastic
AC Outlets	5	5	5
AC Outlet Type	Nema 5-15R	Nema 5-15R	Nema 5-15R
Plug type	Nema 5-15P	Nema 5-15P	Nema 5-15P
Power Shutdown Protection	N/A	N/A	Yes
Max. Joules Rating	N/A	350 Joules	1050 Joules
Max. Spike Current	N/A	6500 Amps	19500 Amps
Max, Spike Voltage	N/A	6000V	6000V
Clamping Voltage (VPR)	N/A	500V (L-N)	500V ( L-N, L-G, N-G)
Response Time	N/A	< 1 nanosecond	< 1 nanosecond
Surge Protection Indicator	N/A	1*Green LED	1*Green LED
EMI/ RFI Noise Filter	N/A	N/A	Attenuation Up to 20 dB Freq. 150Khz to 30Mhz
USB Charger	2 x USB - 3.9A	2 x USB - 3.9A	2 x USB - 3.9A
Product Dimension	L120.5 x W125 x H58.2mm	L120.5 x W125 x H58.2mm	L120.5 x W125 x H58.2mm



## 5 Outlets Swivel Surge Tap W/2 USB Charger

Part No.	FA-360	FA-360-1B	FA-360-3B
Electrical rating	125V/15A /1875W	125V/15A /1875W	125V/15A /1875W
Housing Material	Plastic	Plastic	Plastic
AC Outlets	5	5	5
AC Outlet Type	Nema 5-15R	Nema 5-15R	Nema 5-15R
Plug type	Nema 5-15P	Nema 5-15P	Nema 5-15P
Power Shutdown Protection	N/A	N/A	Yes
Max. Joules Rating	N/A	350 Joules	1050 Joules
Max. Spike Current	N/A	6500 Amps	19,500 Amps
Max, Spike Voltage	N/A	6000V	6000V
Clamping Voltage (VPR)	N/A	500V (L-N)	500V ( L-N, L-G, N-G)
Response Time	N/A	< 1 nanosecond	< 1 nanosecond
Surge Protection Indicator	N/A	1*Green LED	1*Green LED
EMI/ RFI Noise Filter	N/A	N/A	Attenuation Up to 20 dB Freq. 150Khz to 30Mhz
USB Charger	N/A	N/A	N/A
Product Dimension	L120.5xW12 xH58.20mm	L120.5xW12 xH58.20mm	L120.5xW12 xH58.20mm