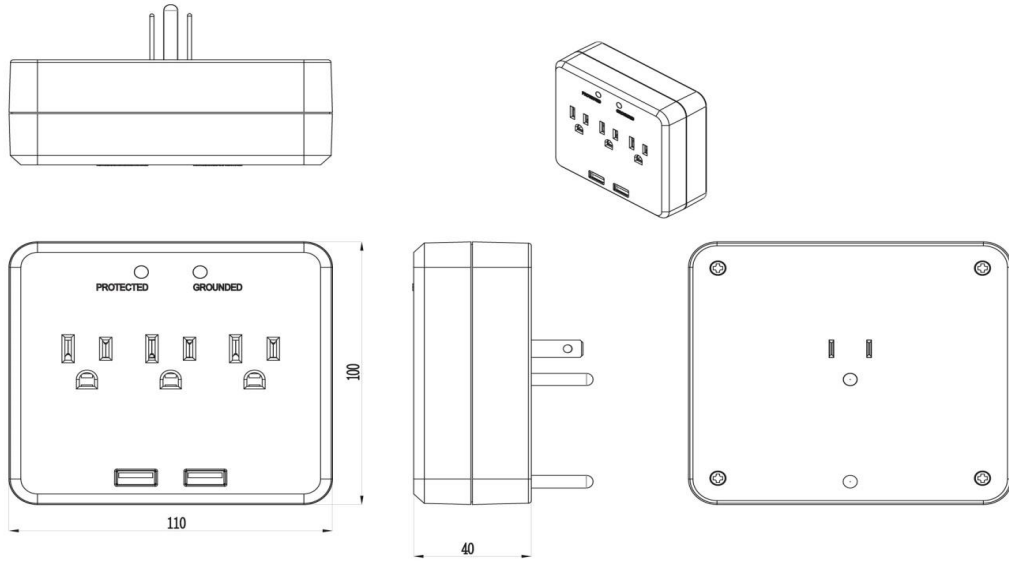


Advanced 3 Outlets Surge Tap W/2 USB Charger

Part No.	FA-363	FA-363-1B	FA-363-3B
Electrical rating	125V/15A /1875W	125V/15A /1875W	125V/15A /1875W
Housing Material	Plastic	Plastic	Plastic
AC Outlets	5	5	5
AC Outlet Type	Nema 5-15R	Nema 5-15R	Nema 5-15R
Plug type	Nema 5-15P	Nema 5-15P	Nema 5-15P
AC Cord Specs	N/A	N/A	N/A
Power Cord Length	N/A	N/A	N/A
Overload Protection	N/A	N/A	N/A
Circuit Breaker Switch	N/A	N/A	N/A
Power Shutdown Protection	N/A	N/A	Yes
Max. Joules Rating	N/A	350 Joules	1050 Joules
Max. Spike Current	N/A	6500 Amps	19,500 Amps
Max, Spike Voltage	N/A	6000V	6000V
Clamping Voltage (VPR)	N/A	500V (L-N)	500V (L-N, L-G, N-G)
Response Time	N/A	< 1 nanosecond	< 1 nanosecond
Surge Protection Indicator	N/A	1*Green LED	1*Green LED
Wire Fault Indicator	N/A	N/A	N/A
EMI/ RFI Noise Filter	N/A	N/A	Attenuation Up to 20 dB Freq. 150Khz to 30Mhz
USB Charger	N/A	N/A	N/A
Phone/Network Protector	N/A	N/A	N/A
Coax/Satellite Protection	N/A	N/A	N/A
Product Dimension	L110 x W100 x H60.20mm	L110 x W100 x H60.20mm	L110 x W100 x H60.20mm



Advanced 3 Outlets Surge Tap W/2 USB Charger

Part No.	FA-363U	FA-363U-1B	FA-363U-3B
Electrical rating	125V/15A /1875W	125V/15A /1875W	125V/15A /1875W
Housing Material	Plastic	Plastic	Plastic
AC Outlets	5	3	3
AC Outlet Type	Nema 5-15R	Nema 5-15R	Nema 5-15R
Plug type	Nema 5-15P	Nema 5-15P	Nema 5-15P
AC Cord Specs	N/A	N/A	N/A
Power Cord Length	N/A	N/A	N/A
Overload Protection	N/A	N/A	N/A
Circuit Breaker Switch	N/A	N/A	N/A
Power Shutdown Protection	N/A	N/A	Yes
Max. Joules Rating	N/A	350 Joules	1050 Joules
Max. Spike Current	N/A	6500 Amps	19,500 Amps
Max, Spike Voltage	N/A	6000V	6000V
Clamping Voltage (VPR)	N/A	500V (L-N)	500V (L-N, L-G, N-G)
Response Time	N/A	< 1 nanosecond	< 1 nanosecond
Surge Protection Indicator	N/A	1*Green LED	1*Green LED
Wire Fault Indicator	N/A	N/A	1*Green LED
EMI/ RFI Noise Filter	N/A	N/A	Attenuation Up to 20 dB Freq. 150Khz to 30Mhz
USB Charger	2 x USB - 2.4A shared	2 x USB - 2.4A shared	2 x USB - 2.4A shared
Phone/Network Protector	N/A	N/A	N/A
Coax/Satellite Protection	N/A	N/A	N/A
Product Dimension	L110 x W100 x H60.20mm	L110 x W100 x H60.20mm	L110 x W100 x H60.20mm