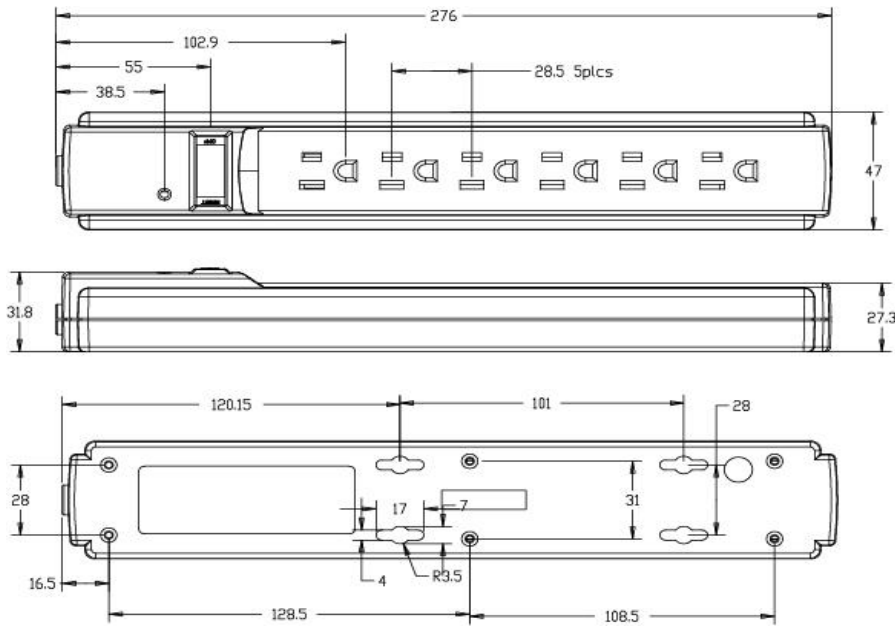


6 Outlet Surge Protector (1 Transformer outlets)

Part No.	FS-071A1	FS-071A2	FS-071A3
Electrical rating	125V/15A /1875W	125V/15A /1875W	125V/15A /1875W
Housing Material	Plastic	Plastic	Plastic
AC Outlets	6	6	6
AC Outlet Type	Nema 5-15R	Nema 5-15R	Nema 5-15R
Plug type	Nema 5-15P	Nema 5-15P	Nema 5-15P
AC Cord Specs	SJT ; 14AWG	SJT ; 14AWG	SJT ; 14AWG
Power Cord Length	Min.1.5ft~ Max.25ft	Min.1.5ft~ Max.25ft	Min.1.5ft~ Max.25ft
Overload Protection	15 Amps	15 Amps	15 Amps
Circuit Breaker Switch	Yes	Yes	Yes
Power Shutdown Protection	Yes	Yes	Yes
Max. Joules Rating	750 Joules	1250 Joules	1310 Joules
Max. Spike Current	13500 Amps	22500 Amps	24500 Amps
Max, Spike Voltage	6000V	6000V	6000V
Clamping Voltage (VPR)	500V(L-N,L-G,N-G)	500V(L-N,L-G,N-G)	500V(L-N,L-G,N-G)
Response Time	< 1 nanosecond	< 1 nanosecond	< 1 nanosecond
Surge Protection Indicator	Yes	Yes	Yes
Wire Fault Indicator	N/A	N/A	N/A
EMI/ RFI Noise Filter	Attenuation Up to 20 dB Freq. 150Khz to 30Mhz	Attenuation Up to 20 dB Freq. 150Khz to 30Mhz	Attenuation Up to 20 dB Freq. 150Khz to 30Mhz
USB Charger	N/A	N/A	N/A
Phone/Network Protector	N/A	N/A	N/A
Coax/Satellite Protection	N/A	N/A	N/A
Product Dimension	L276x W47 x H27.3mm	L276x W47 x H27.3mm	L276x W47 x H27.3mm



6 Outlet Surge Protector (1 Transformer outlets)

Part No.	FS-071B1	FS-071B2	FS-071B3
Electrical rating	125V/15A /1875W	125V/15A /1875W	125V/15A /1875W
Housing Material	Plastic	Plastic	Plastic
AC Outlets	6	6	6
AC Outlet Type	Nema 5-15R	Nema 5-15R	Nema 5-15R
Plug type	Nema 5-15P	Nema 5-15P	Nema 5-15P
AC Cord Specs	SJT ; 14AWG	SJT ; 14AWG	SJT ; 14AWG
Power Cord Length	Min.1.5ft~ Max.25ft	Min.1.5ft~ Max.25ft	Min.1.5ft~ Max.25ft
Overload Protection	15 Amps	15 Amps	15 Amps
Circuit Breaker Switch	Yes	Yes	Yes
Power Shutdown Protection	Yes	Yes	Yes
Max. Joules Rating	750 Joules	1250 Joules	1310 Joules
Max. Spike Current	13500 Amps	22500 Amps	24500 Amps
Max, Spike Voltage	6000V	6000V	6000V
Clamping Voltage (VPR)	500V(L-N,L-G,N-G)	500V(L-N,L-G,N-G)	500V(L-N,L-G,N-G)
Response Time	< 1 nanosecond	< 1 nanosecond	< 1 nanosecond
Surge Protection Indicator	Yes	Yes	Yes
Wire Fault Indicator	N/A	N/A	N/A
EMI/ RFI Noise Filter	Attenuation Up to 20 dB Freq. 150Khz to 30Mhz	Attenuation Up to 20 dB Freq. 150Khz to 30Mhz	Attenuation Up to 20 dB Freq. 150Khz to 30Mhz
USB Charger	N/A	N/A	N/A
Phone/Network Protector	N/A	N/A	N/A
Coax/Satellite Protection	RJ11: 1 in-1 out	RJ11: 1 in-1 out	RJ11: 1 in-1 out
Product Dimension	L276x W47 x H27.3mm	L276x W47 x H27.3mm	L276x W47 x H27.3mm