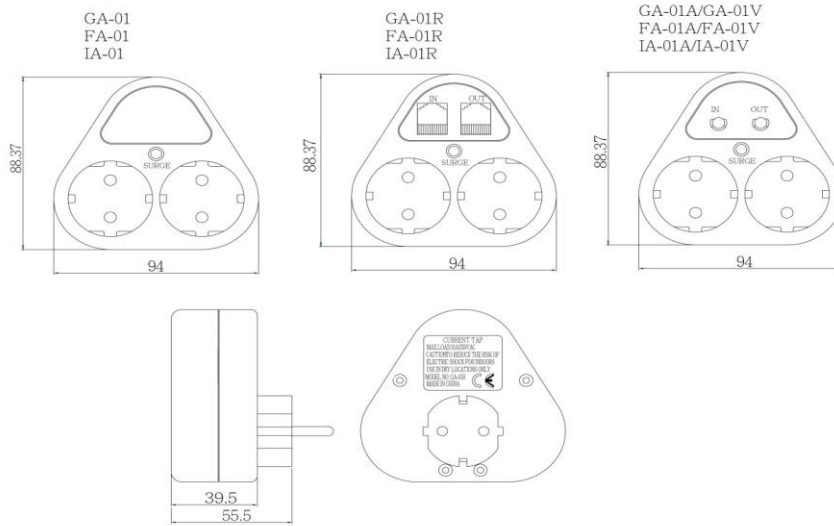


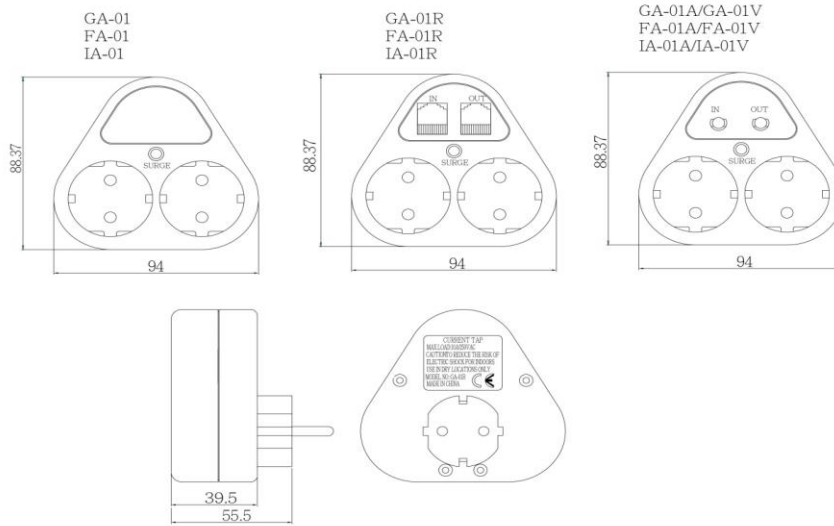
Wall-Outlet Surge Protector

Part No.	GA-01	GA-01R	GA-01V	GA-01A
Electrical rating	250V/10A /2500W	250V/10A /2500W	250V/10A /2500W	250V/10A /2500W
Housing Material	Plastic	Plastic	Plastic	Plastic
AC Outlets	2	2	2	2
AC Outlet Type	Schuko	Schuko	Schuko	Schuko
Plug type	Schuko	Schuko	Schuko	Schuko
AC Cord Specs	N/A	N/A	N/A	N/A
Power Cord Length	N/A	N/A	N/A	N/A
Overload Protection	N/A	N/A	N/A	N/A
Circuit Breaker Switch	N/A	N/A	N/A	N/A
Power Shutdown Protection	N/A	N/A	N/A	N/A
Max. Joules Rating	1140 Joules	1140 Joules	1140 Joules	1140 Joules
Max. Spike Current	19500 Amps	19500 Amps	19500 Amps	19500 Amps
Max. Spike Voltage	6000V	6000V	6000V	6000V
Clamping Voltage (VPR)	775V	775V	775V	775V
Response Time	< 1 nanosecond	< 1 nanosecond	< 1 nanosecond	< 1 nanosecond
Surge Protection Indicator	Yes	Yes	Yes	Yes
Wire Fault Indicator	N/A	N/A	N/A	N/A
EMI/ RFI Noise Filter	Attenuation Up to 20 dB Freq. 150Khz to 30Mhz	Attenuation Up to 20 dB Freq. 150Khz to 30Mhz	Attenuation Up to 20 dB Freq. 150Khz to 30Mhz	Attenuation Up to 20 dB Freq. 150Khz to 30Mhz
USB Charger	N/A	N/A	N/A	N/A
Phone/Network Protector	N/A	RJ11:1 in 1 out	N/A	N/A
Coax Protection	N/A	N/A	F Connector	F Connector
Product Dimension	L94 x W88.37 x H55.5mm	L94 x W88.37 x H55.5mm	L94 x W88.37 x H55.5mm	L94 x W88.37 x H55.5mm



Wall-Outlet Surge Protector

Part No.	FA-01	FA-01R	FA-01V	FA-01A
Electrical rating	250V/10A /2500W	250V/10A /2500W	250V/10A /2500W	250V/10A /2500W
Housing Material	Plastic	Plastic	Plastic	Plastic
AC Outlets	2	2	2	2
AC Outlet Type	French	French	French	French
Plug type	French	French	French	French
AC Cord Specs	N/A	N/A	N/A	N/A
Power Cord Length	N/A	N/A	N/A	N/A
Overload Protection	N/A	N/A	N/A	N/A
Circuit Breaker Switch	N/A	N/A	N/A	N/A
Power Shutdown Protection	N/A	N/A	N/A	N/A
Max. Joules Rating	1140 Joules	1140 Joules	1140 Joules	1140 Joules
Max. Spike Current	19500 Amps	19500 Amps	19500 Amps	19500 Amps
Max, Spike Voltage	6000V	6000V	6000V	6000V
Clamping Voltage (VPR)	775V	775V	775V	775V
Response Time	< 1 nanosecond	< 1 nanosecond	< 1 nanosecond	< 1 nanosecond
Surge Protection Indicator	Yes	Yes	Yes	Yes
Wire Fault Indicator	N/A	N/A	N/A	N/A
EMI/ RFI Noise Filter	Attenuation Up to 20 dB Freq. 150Khz to 30Mhz	Attenuation Up to 20 dB Freq. 150Khz to 30Mhz	Attenuation Up to 20 dB Freq. 150Khz to 30Mhz	Attenuation Up to 20 dB Freq. 150Khz to 30Mhz
USB Charger	N/A	N/A	N/A	N/A
Phone/Network Protector	N/A	RJ11:1 in 1 out	N/A	N/A
Coax Protection	N/A	N/A	F Connector	F Connector
Product Dimension	L94 x W88.37 x H55.5mm	L94 x W88.37 x H55.5mm	L94 x W88.37 x H55.5mm	L94 x W88.37 x H55.5mm



Wall-Outlet Surge Protector

Part No.	IA-01	IA-01R	IA-01V	IA-01A
Electrical rating	250V/10A /2500W	250V/10A /2500W	250V/10A /2500W	250V/10A /2500W
Housing Material	Plastic	Plastic	Plastic	Plastic
AC Outlets	2	2	2	2
AC Outlet Type	Italian	Italian	Italian	Italian
Plug type	Italian	Italian	Italian	Italian
AC Cord Specs	N/A	N/A	N/A	N/A
Power Cord Length	N/A	N/A	N/A	N/A
Overload Protection	N/A	N/A	N/A	N/A
Circuit Breaker Switch	N/A	N/A	N/A	N/A
Power Shutdown Protection	N/A	N/A	N/A	N/A
Max. Joules Rating	1140 Joules	1140 Joules	1140 Joules	1140 Joules
Max. Spike Current	19500 Amps	19500 Amps	19500 Amps	19500 Amps
Max, Spike Voltage	6000V	6000V	6000V	6000V
Clamping Voltage (VPR)	775V	775V	775V	775V
Response Time	< 1 nanosecond	< 1 nanosecond	< 1 nanosecond	< 1 nanosecond
Surge Protection Indicator	Yes	Yes	Yes	Yes
Wire Fault Indicator	N/A	N/A	N/A	N/A
EMI/ RFI Noise Filter	Attenuation Up to 20 dB Freq. 150Khz to 30Mhz	Attenuation Up to 20 dB Freq. 150Khz to 30Mhz	Attenuation Up to 20 dB Freq. 150Khz to 30Mhz	Attenuation Up to 20 dB Freq. 150Khz to 30Mhz
USB Charger	N/A	N/A	N/A	N/A
Phone/Network Protector	N/A	RJ11:1 in 1 out	N/A	N/A
Coax Protection	N/A	N/A	F Connector	F Connector
Product Dimension	L94 x W88.37 x H55.5mm	L94 x W88.37 x H55.5mm	L94 x W88.37 x H55.5mm	L94 x W88.37 x H55.5mm