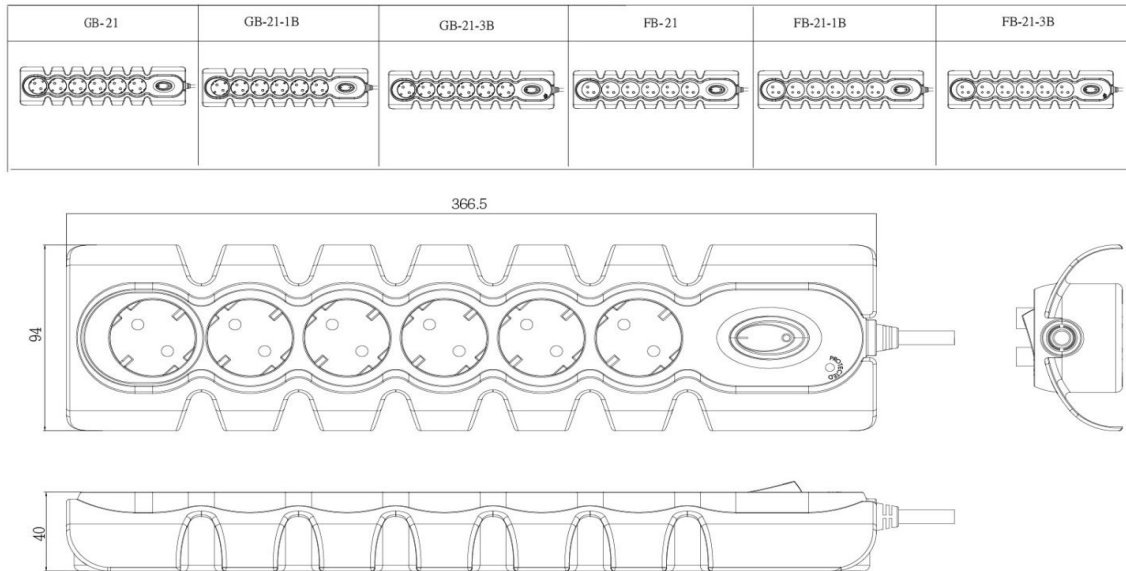


## Heavy Duty 6 Outlets Power Surge Protector

Part No.	GB-21	GB-21-1B	GB-21-3B
Electrical rating	230V/16A /3680W	230V/16A /3680W	230V/16A /3680W
Housing Material	Plastic	Plastic	Plastic
AC Outlets	6	6	6
AC Outlet Type	Schuko	Schuko	Schuko
Plug type	Schuko	Schuko	Schuko
AC Cord Specs	H05VV-F 3G 1.00MM <sup>2</sup> / H05VV-F 3G 1.50MM <sup>2</sup>	H05VV-F 3G 1.00MM <sup>2</sup> / H05VV-F 3G 1.50MM <sup>2</sup>	H05VV-F 3G 1.00MM <sup>2</sup> / H05VV-F 3G 1.50MM <sup>2</sup>
Power Cord Length	1.8m	1.8m	1.8m
Overload Protection	16 Amps	16 Amps	16 Amps
Circuit Breaker Switch	Yes	Yes	Yes
Power Shutdown Protection	N/A	N/A	N/A
Max. Joules Rating	N/A	380 Joules	1140 Joules
Max. Spike Current	N/A	6500A	19500A
Max, Spike Voltage	N/A	6000V	6000V
Clamping Voltage (VPR)	N/A	1000V	1000V
Response Time	N/A	< 1 nanosecond	< 1 nanosecond
Surge Protection Indicator	N/A	N/A	Yes
Grounded Indicator	N/A	N/A	N/A
EMI/ RFI Noise Filter	N/A	N/A	Attenuation Up to 20 dB Freq. 150Khz to 30Mhz
USB Charger	N/A	N/A	N/A
Phone/Network Protector	N/A	N/A	N/A
Coax Protection	N/A	N/A	N/A
Product Dimension	L366.5xW94xH40mm	L366.5xW94xH40mm	L366.5xW94xH40mm



## Heavy Duty 6 Outlets Power Surge Protector

Part No.	FB-21	FB-21-1B	FB-21-3B
Electrical rating	230V/16A /3680W	230V/16A /3680W	230V/16A /3680W
Housing Material	Plastic	Plastic	Plastic
AC Outlets	6	6	6
AC Outlet Type	French	French	French
Plug type	French	French	French
AC Cord Specs	H05VV-F 3G 1.00MM <sup>2</sup> / H05VV-F 3G 1.50MM <sup>2</sup>	H05VV-F 3G 1.00MM <sup>2</sup> / H05VV-F 3G 1.50MM <sup>2</sup>	H05VV-F 3G 1.00MM <sup>2</sup> / H05VV-F 3G 1.50MM <sup>2</sup>
Power Cord Length	1.8m	1.8m	1.8m
Overload Protection	16 Amps	16 Amps	16 Amps
Circuit Breaker Switch	Yes	Yes	Yes
Power Shutdown Protection	N/A	N/A	N/A
Max. Joules Rating	N/A	380 Joules	1140 Joules
Max. Spike Current	N/A	6500A	19500A
Max, Spike Voltage	N/A	6000V	6000V
Clamping Voltage (VPR)	N/A	1000V	1000V
Response Time	N/A	< 1 nanosecond	< 1 nanosecond
Surge Protection Indicator	N/A	N/A	Yes
Grounded Indicator	N/A	N/A	N/A
EMI/ RFI Noise Filter	N/A	N/A	Attenuation Up to 20 dB Freq. 150Khz to 30Mhz
USB Charger	N/A	N/A	N/A
Phone/Network Protector	N/A	N/A	N/A
Coax Protection	N/A	N/A	N/A
Product Dimension	L366.5xW94xH40mm	L366.5xW94xH40mm	L366.5xW94xH40mm